

Service
Service
Service

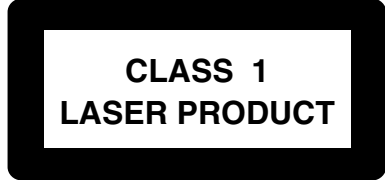


Service Manual



CONTENTS

	Page
1 Technical specifications	2
2 Warnings	2
3 Service hints	3
4 Amendment	3
5 Dismantling instruction and exploded view	4
6 Block- and wiring diagram	6
7 Electrical diagrams and print-layouts	8
Power board	8
Mpeg board	10
Front board	20
MIC board	22
8 Spare parts list DVD616K/031	24
9 Spare parts list DVD616K/691	28
10 Spare parts list DVD616K/751	32
11 Spare parts list DVD616K/782	36
12 Spare parts list DVD616K/931	40



© Copyright 2002 Philips Consumer Electronics BPAVC
All rights reserved. No part of this publication may be reproduced, stored in a retrieval system or transmitted, in any form or by any means, electronic, mechanical, photocopying, or otherwise without the prior permission of Philips.

Published by Jianfeng Liu 0263 BPAVC

GB 3122 785 12050



PHILIPS

1. Technical Specifications

DVD616K/ 031/691/751/782

Specifications

DVD-Video player



Technical specifications DVD 616K

Playback system

- DVD-Video
- Video CD (VCD)
- SVCD
- Picture CD
- MP3-CD¹
- CD (CD-R and CD-RW)¹
- DVD+RW

Optical read-out system

- Laser type Semiconductor AlGaAs
- Numerical Aperture 0.60 (DVD)
0.45 (VCD/SVCD/CD)
- Wavelength 650 nm (DVD)
780 nm (VCD/SVCD/CD)

DVD disc format

- Medium Optical disc
 - Diameter 12 cm (8 cm)
 - Playing time (12cm)
- | | |
|------------------------|---------------------|
| One layer | 2.15 h ² |
| Dual layer | 4 h ² |
| Two side, single layer | 4.30 h ² |
| Two side, dual layer | 8 h ² |

TV standard

	PAL	NTSC
Number of lines	50 Hz 625	60 Hz 525
Playback	Multi standard (PAL/NTSC)	

Video format

- Digital compression MPEG 2 for DVD, SVCD
MPEG 1 for VCD

DVD	50Hz	60Hz
Horiz. resolution	720 pixels	720 pixels
Vertical resolution	576 lines	480 lines
VCD	50Hz	60Hz
Horiz. resolution	352 pixels	352 pixels
Vertical resolution	288 lines	240 lines

Video performance

- Video output 1Vpp into 75 ohm
- S-Video output Y: 1Vpp into 75 Ohm
C: 0.3Vpp into 75 Ohm
- Component Video output Y 1Vpp into 75 Ohm
CR 0.7Vpp into 75 Ohm
Cb 0.7Vpp into 75 Ohm

Audio format

Digital	Mpeg/Dolby Digital/ PCM	Compressed Digital, 16, 20, 24 bits fs, 44.1, 48, 96 kHz
	MP3 (ISO 9660)	24, 32, 56, 64, 96, 128, 256 kbps & variable bit rate fs, 16, 22.05, 24, 32, 44.1, 48 kHz

- Analog sound stereo
- Dolby surround compatible downmix from Dolby Digital multi-channel sound
- 3D sound for virtual 5.1 channel sound on 2 speakers

Audio performance (typical)

D/A converter	24 bits	
DVD:	Fs 96 kHz	4 Hz - 22 kHz
	Fs 48 kHz	4 Hz - 22 kHz
CD/VCD:	Fs 44.1 kHz	4 Hz - 22 kHz
SVCD:	Fs 48 kHz	4 Hz - 22 kHz
	Fs 44.1 kHz	4 Hz - 20 kHz

- Signal-noise (1kHz) 95 dB
- Dynamic Range (1kHz) 80 dB
- Crosstalk (1kHz) 90 dB
- Distortion/noise (1kHz) 85 dB

Connection

- Component Video out Cinch (Red/Green/Blue)
- S-Video output Mini DIN 4-pins
- Video output Cinch (yellow)
- Audio L+R Output Cinch (white/ red)
- Digital Output 1 coaxial/optical IEC958 for CDDA/LPCM IEC1937 for MPEG 1/2, Dolby Digital

Power supply

- Power inlet 110~240V, 50,60Hz
- Power usage Approx. 20 watt

Cabinet

- Dimension 435x71x235mm (w x h x d)
- Weight Approx. 2.5 kg

Package contents

- DVD-video player
- Remote control with batteries
- User's manual
- Audio cable
- Video cable

General functionality

- Stop / play / pause
- Fast forward / backward
- Step forward
- Slow motion
- Title / chapter / track select
- Skip next / skip previous
- Repeat (Chapter/ title/all) or (Track / all)
- A-B repeat
- Zoom
- 3D sound
- Screen saver
- Resume (5 discs) after stop
- Parental control and disc lock (80 disc)
- Programming Titles / chapters or track with Favorite Track Selection (FTS)

DVD functionality

- Multi-angle selection
- Audio selection (1 out of max. 8 languages)
- Subtitles selection (1 out of max. 32 languages)
- Aspect ratio conversion (16:9, 4:3 letterbox, 4:3 Pan Scan)
- Disc Menu support (title menu and root menu)

Video CD functionality

- Playback control for VCD 2.0 discs

SVCD functionality

- Playback control as per SVCD standard
- Audio Selection (1 out of max. 4 languages)

Picture CD & MP3 CD functionality

- Playback pictures one by one automatically.
- Display the picture customer preferred.
- Zoom the picture.
- Rotate the picture.
- Flip the picture vertically or horizontally.
- Control the playback speed.
- Album and track selection.
- Repeat (disc / album / track / picture).
- Nested directory levels supported to 8 levels.
- Maximum album numbers possible is 32.
- Maximum MP3 Tracks Programmable is 96.
- Maximum Number of Tracks is 999.

Karaoke functionality

- Karaoke with dual inputs
- Karaoke and language learning

¹ Only Applicable for Single session finalised disc.

² Typical playing time for movie with 2 spoken languages and 3 subtitle languages.

2. Warnings

GB WARNING

All ICs and many other semiconductors are susceptible to electrostatic discharges (ESD). Careless handling during repair can reduce life drastically. When repairing, make sure that you are connected with the same potential as the mass of the set via a wristband with resistance. Keep components and tools at this potential.



F ATTENTION

Tous les IC et beaucoup d'autres semi-conducteurs sont sensibles aux décharges statiques (ESD). Leur longévité pourrait être considérablement écourtée par le fait qu'aucune précaution n'est prise à leur manipulation. Lors de réparations, s'assurer de bien être relié au même potentiel que la masse de l'appareil et enfileer le bracelet serti d'une résistance de sécurité. Veiller à ce que les composants ainsi que les outils que l'on utilise soient également à ce potentiel.

D WARNUNG

Alle ICs und viele andere Halbleiter sind empfindlich gegenüber elektrostatischen Entladungen (ESD). Unsorgfältige Behandlung im Reparaturfall kann die Lebensdauer drastisch reduzieren. Sorgen Sie dafür, daß Sie im Reparaturfall über ein Pulsarmband mit Widerstand mit dem Massepotential des Gerätes verbunden sind. Halten Sie Bauteile und Hilfsmittel ebenfalls auf diesem Potential.

GB

Safety regulations require that the set be restored to its original condition and that parts which are identical with those specified be used. Safety components are marked by the symbol ▲

F

Les normes de sécurité exigent que l'appareil soit remis à l'état d'origine et que soient utilisées les pièces de rechange identiques à celles spécifiées. Les composants de sécurité sont marqués ▲

GB

After servicing and before returning the set to customer perform a leakage current measurement test from all exposed metal parts to earth ground, to assure no shock hazard exists. The leakage current must not exceed 0,5mA.

SAFETY



D

Bei jeder Reparatur sind die geltenden Sicherheitsvorschriften zu beachten. Der Originalzustand des Gerätes darf nicht verändert werden. Für Reparaturen sind Originalersatzteile zu verwenden. Sicherheitsbauteile sind durch das Symbol ▲ markiert.

GB

DANGER: Invisible laser radiation when open. AVOID DIRECT EXPOSURE TO BEAM.



S

Varning! Osynlig laserstrålning när apparaten är öppnad och spårren är urkopplad. Betrakta ej strålen.

FIN Varoitus!

Avatussa laitteessa ja suojalukituksen ohitettaessa olet alltiina näkymättömälle laserisäteilylle. Älä katso säteeseen!

NL WAARSCHUWING

Alle IC's en vele andere halfgeleiders zijn gevoelig voor electrostatische ontladingen (ESD). Onzorgvuldig behandelen tijdens reparatie kan de levensduur drastisch doen verminderen. Zorg ervoor dat u tijdens reparatie via een polsband met weerstand verbonden bent met hetzelfde potentiaal als de massa van het apparaat. Houd componenten en hulpmiddelen ook op ditzelfde potentiaal.

I AVVERTIMENTO

Tutti IC e parecchi semi-conduttori sono sensibili alle scariche statiche (ESD). La loro longevità potrebbe essere fortemente ridotta in caso di non osservazione della più grande cauzione alla loro manipolazione. Durante le riparazioni occorre quindi essere collegato allo stesso potenziale che quello della massa dell'apparecchio tramite un bracciale a resistenza. Assicurarsi che i componenti e anche gli utensili con quali si lavora siano anche a questo potenziale.

NL

Veiligheidsbepalingen vereisen, dat het apparaat in zijn oorspronkelijke toestand wordt teruggebracht en dat onderdelen, identiek aan de gespecificeerde, worden toegepast. De Veiligheidsonderdelen zijn aangeduid met het symbool ▲

I

Le norme di sicurezza estigono che l'apparecchio venga rimesso nelle condizioni originali e che siano utilizzati i pezzi di ricambio identici a quelli specificati. Componenti di sicurezza sono marcati con ▲

F

"Pour votre sécurité, ces documents doivent être utilisés par des spécialistes agréés, seuls habilités à réparer votre appareil en panne".

Advarsel!

Usynlig laserstrålning ved åbning når sikkerhedsafbrydere er ude af funktion. Undgå udsættelse for strålning.

Warning for powersupply on primary side

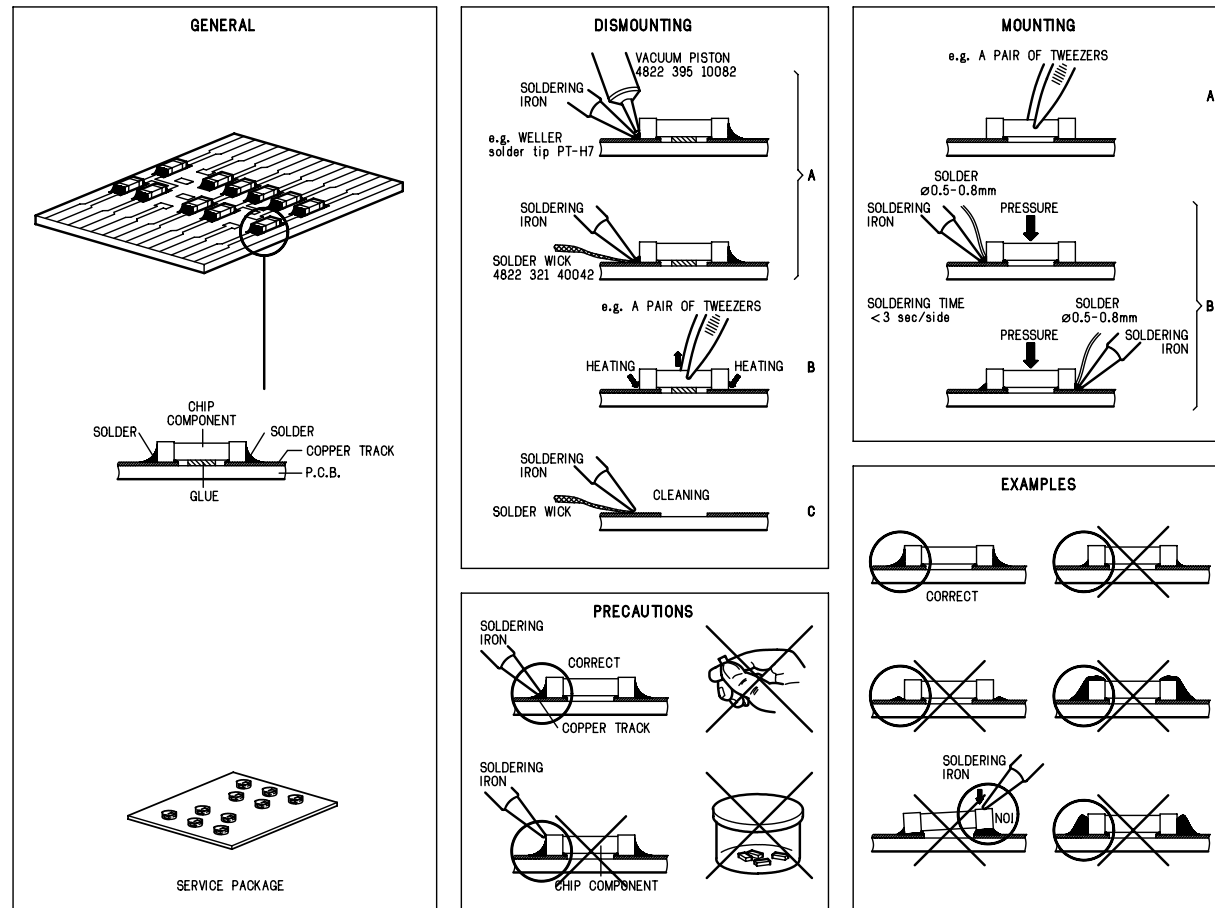
The primary side of the powersupply including the heatsink carries live mains voltage when the player is connected to the mains even when the player is swiched off!

This primary area is not shielded so it is possible to touch copper tracks and/or components when servicing the player. Service personnel have to take precautions to prevent touching this area or components in this area.

The primary side of the powersupply has been indicated with a stripe-marked printed on the printed wiring board.

3. Service hints

HANDLING CHIP COMPONENTS



4. Revision information

Service manual version: 1.0

Issue Date : 18th, March, 2002

Revision information: N/A

SERVICE TOOLS

Test discs

Audio signals disc -----4822 397 30184

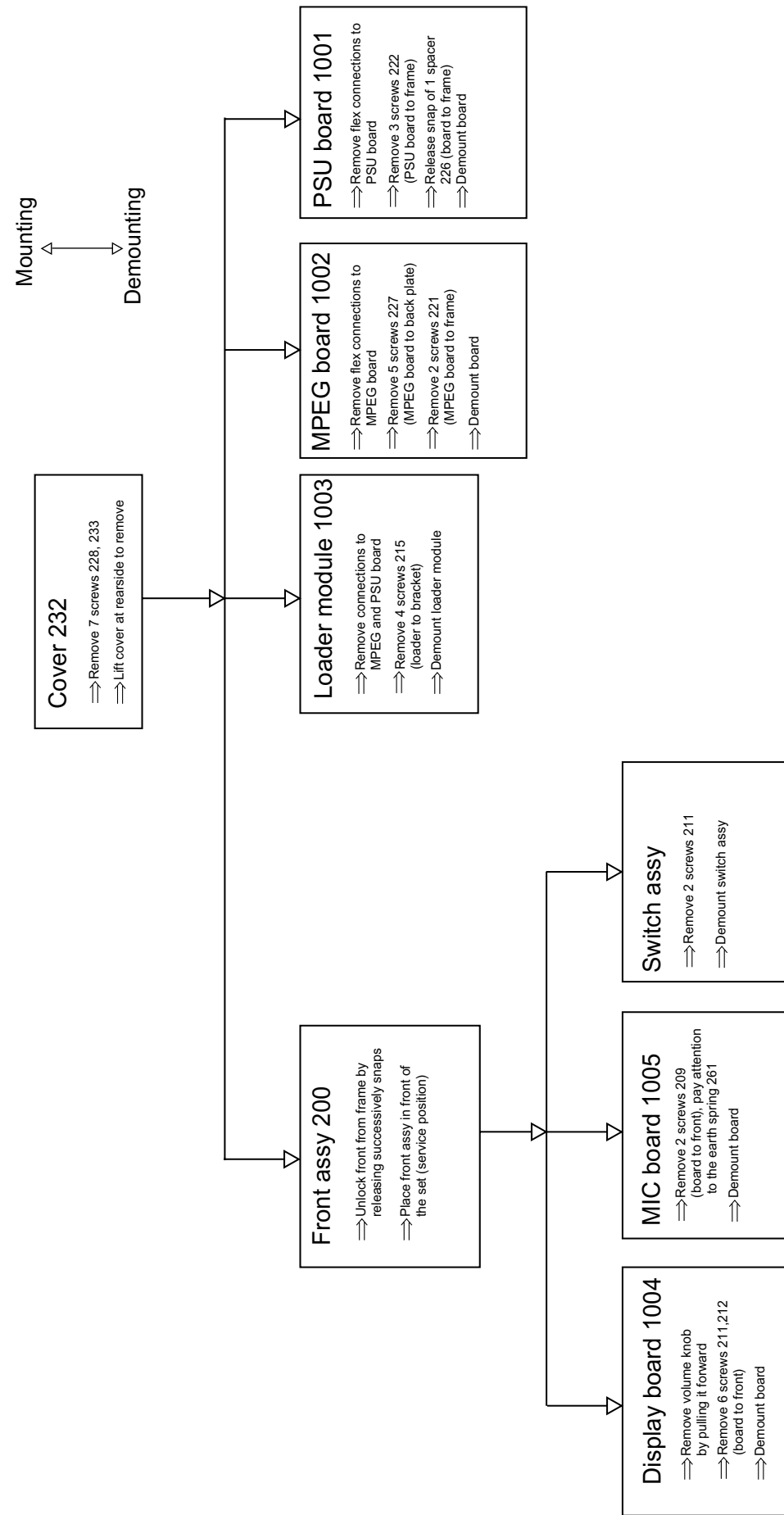
Torx screwdrivers

Set (straight, T2 to T20) -----4822 395 50145

Set (square, T10, T15, T20) -----4822 395 50132

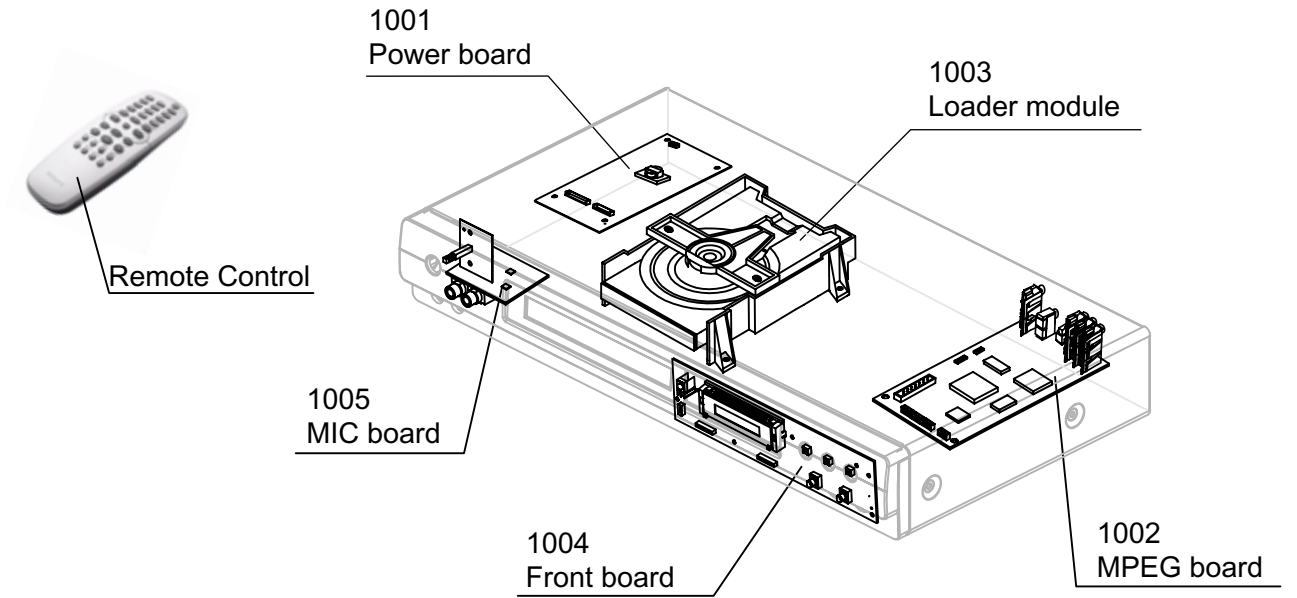
5. Dismantling instructions and exploded view

DISMANTLING INSTRUCTIONS DVD616K/031/691/751/782/931
See exploded view for item numbers



5. Dismantling instructions and exploded view

PCB LOCATION DVD616K/031/691/751/782/931



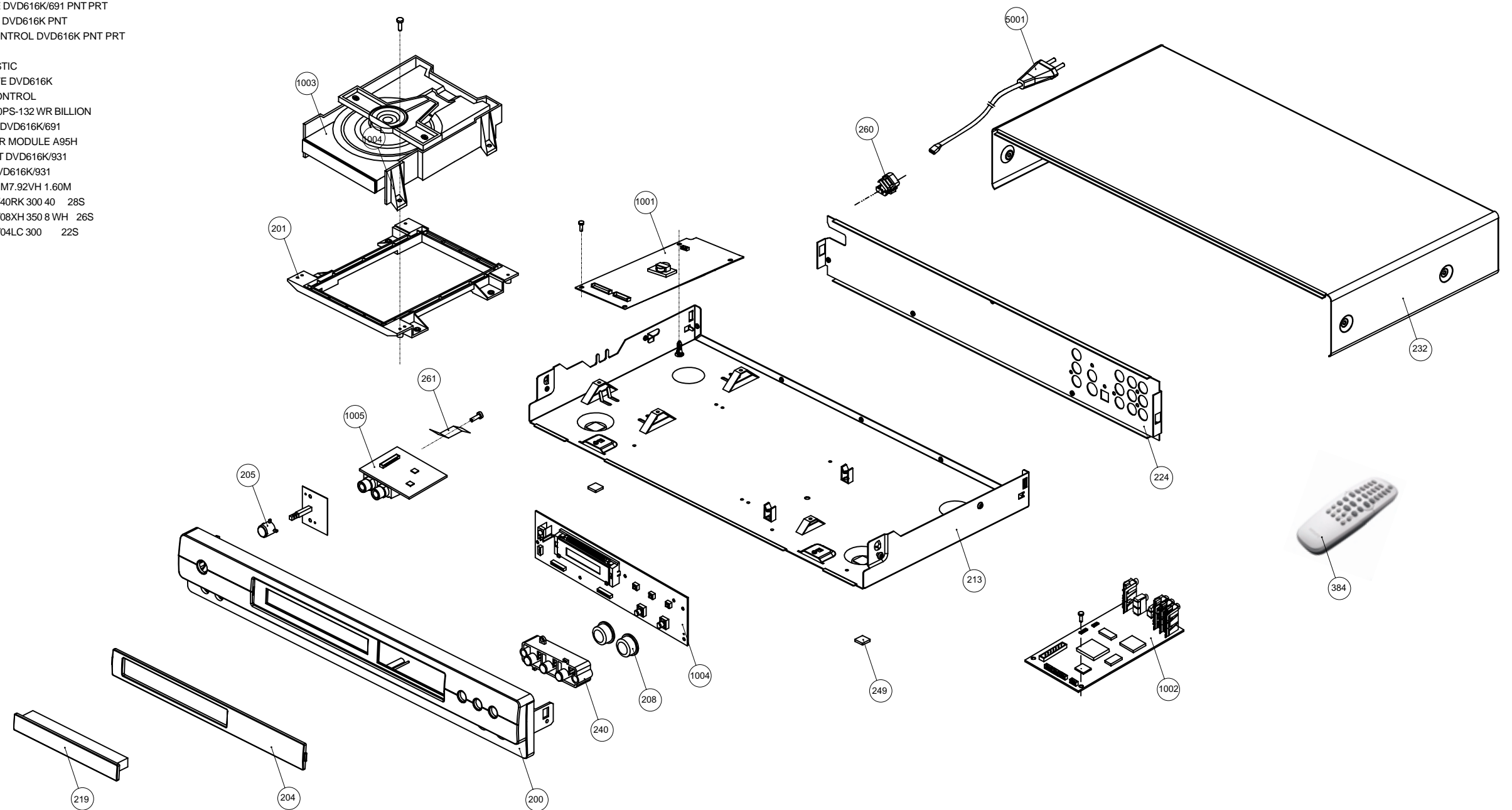
PARTS 12NC LIST

	DVD616k/031	DVD616K/691	DVD616K/751	DVD616K/782	DVD616K/931
1001 PSU board	3141 018 02930	3141 018 02930	3141 018 02930	3141 018 02930	3141 018 02930
1002 MPEG board	3141 018 02810	3141 018 02780	3141 018 02790	3141 018 02800	3141 018 02770
1003 Loader module	3141 018 02660	3141 018 02660	3141 018 02660	3141 018 02660	3141 018 02660
1004 Front board	3141 018 02550	3141 018 02550	3141 018 02550	3141 018 02550	3141 018 02550
1005 Front board	3141 018 02560	3141 018 02560	3141 018 02560	3141 018 02560	3141 018 02560
Remote control	3141 017 90161	3141 017 90161	3141 017 90161	3141 017 90161	3141 017 90171

5. Dismantling instructions and exploded view

MECHANICAL PARTS LIST DVD616K/691

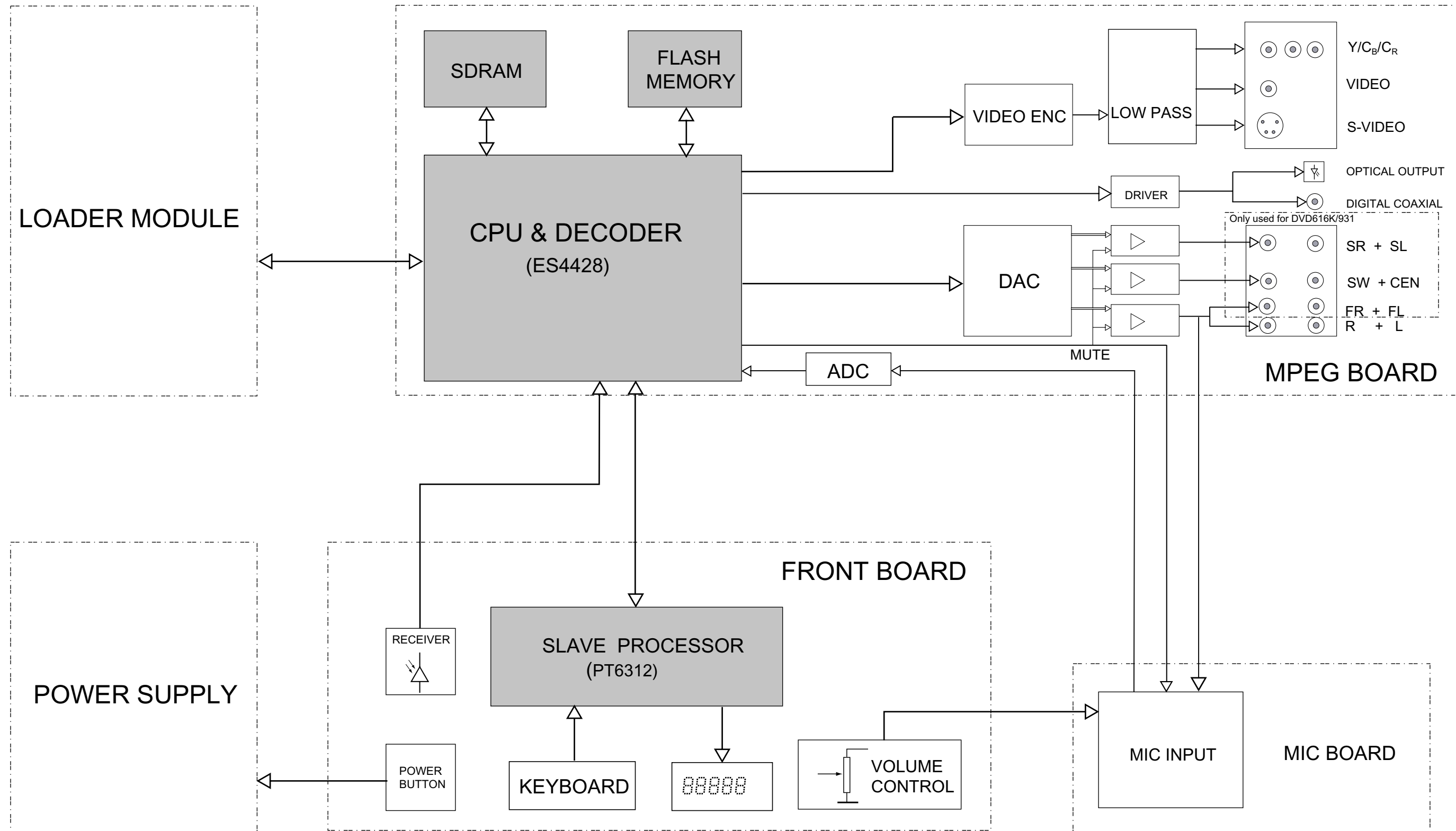
ITEM	CODE NUMBER	DESCRIPTION
200	3141 017 76140	CAB FRONT DVD616K/691 PNT PRT
201	3141 014 24720	BRACKET
204	3141 017 76220	WINDOW DVD616K
205	3141 017 75590	BUTTON POWER DVD616K PNT PRT
208	3141 017 75580	VOLUME KNOB DVD616K PNT
213	3141 011 21300	FRAME DVD616K
219	3141 017 75600	DOOR DVD616K PRT
224	3141 017 75830	BACK PLATE DVD616K/691 PNT PRT
232	3141 017 75610	COVER TOP DVD616K PNT
240	3141 017 75570	BUTTON CONTROL DVD616K PNT PRT
249	3139 243 10080	CUSHION
260	4822 532 60948	BUSH, PLASTIC
261	3141 011 60520	EARTH PLATE DVD616K
384	3141 017 90161	REMOTE CONTROL
1001	3141 018 02930	PBAS PSU 90PS-132 WR BILLION
1002	3141 018 02780	PBAS MPEG DVD616K/691
1003	3141 018 02660	DVD LOADER MODULE A95H
1004	3141 018 02550	PBAS FRONT DVD616K/931
1005	3141 018 02560	PBAS MIC DVD616K/931
5001	3141 018 71300	MAIN CORD M7.92VH 1.60M
8001	3141 010 21160	CWAS 40RK/40RK 300 40 28S
8002	3141 010 21140	CWAS 08XH/08XH 350 8 WH 26S
8003	3141 010 21150	CWAS 04XH/04LC 300 22S



DVD616K/691 EXPLODED VIEW

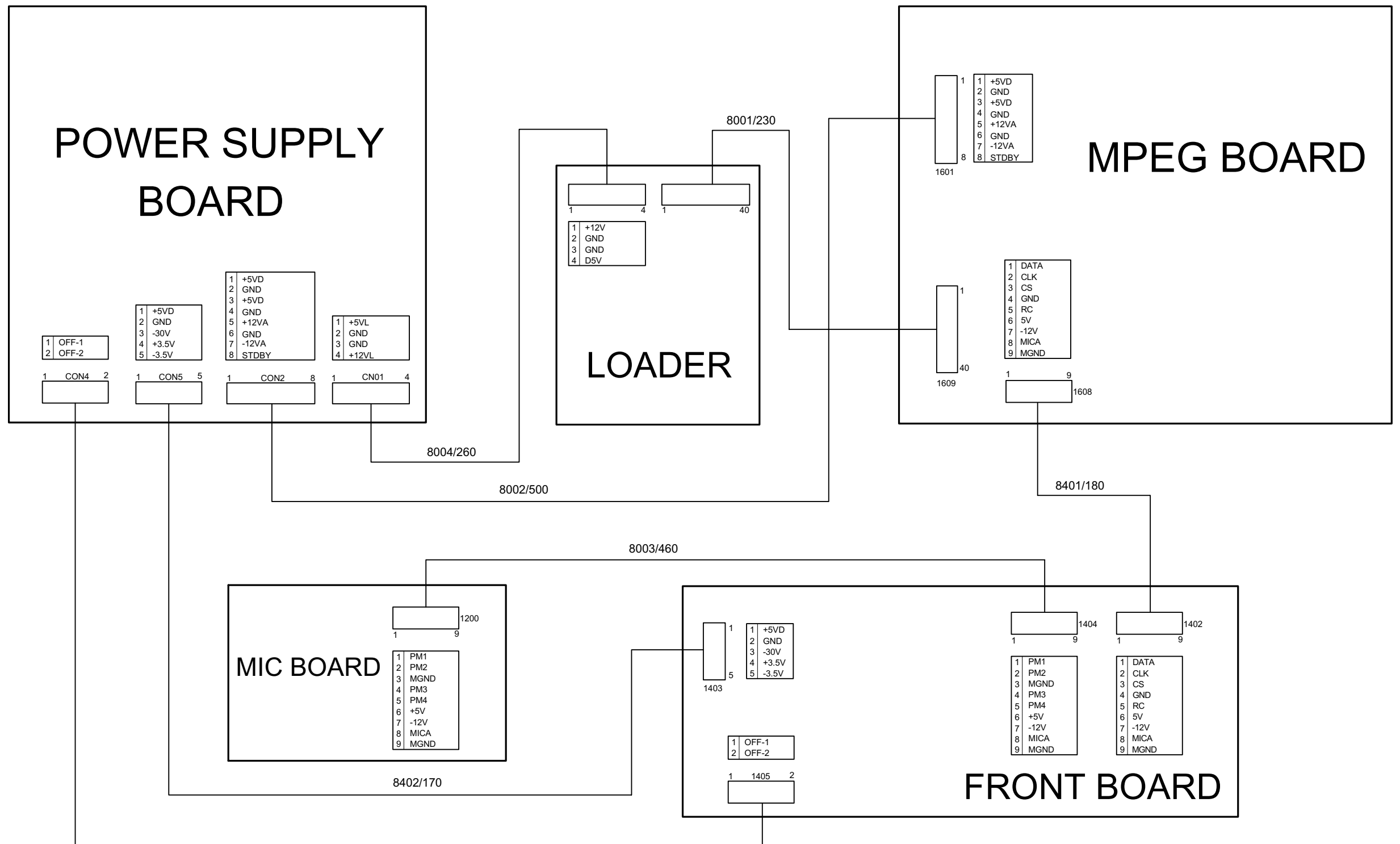
6. Block- and wiring diagram

Block diagram DVD616K/031/691/751/782/931

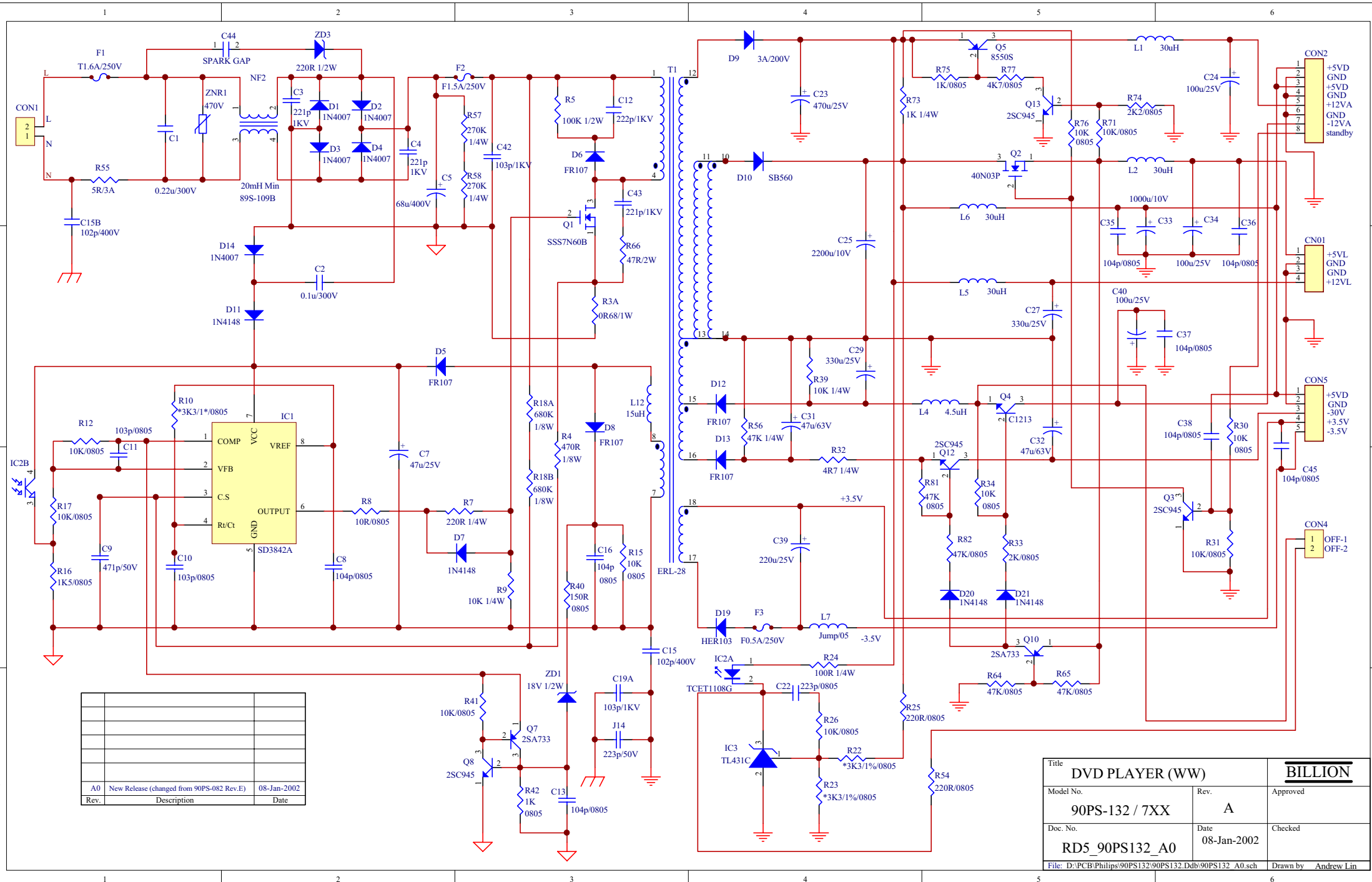


6. Block- and wiring diagram

Wiring diagram DVD616K/031/691/751/782/931



CIRCUIT DIAGRAM

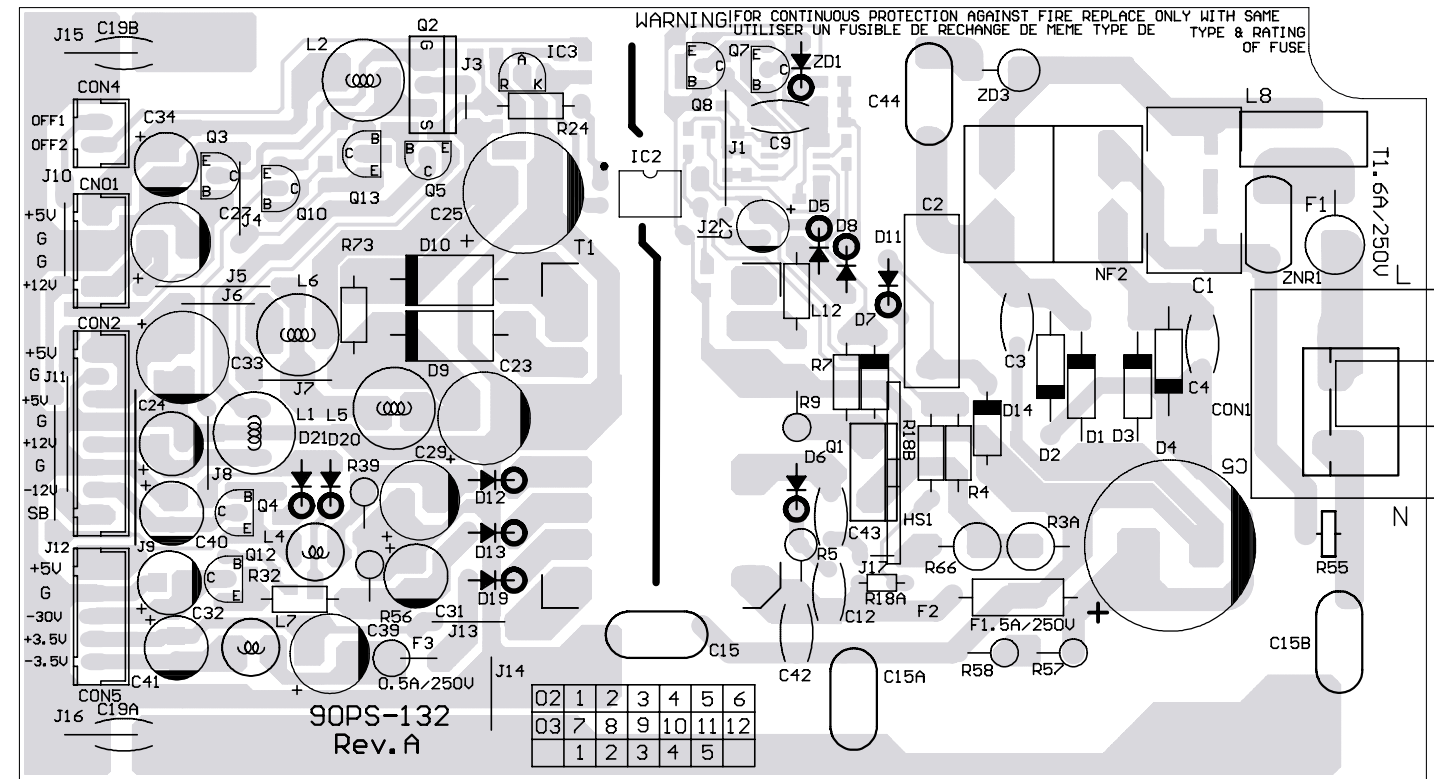


Rev.	Description	Date
A0	New Release (changed from 90PS-082 Rev.E)	08-Jan-2002

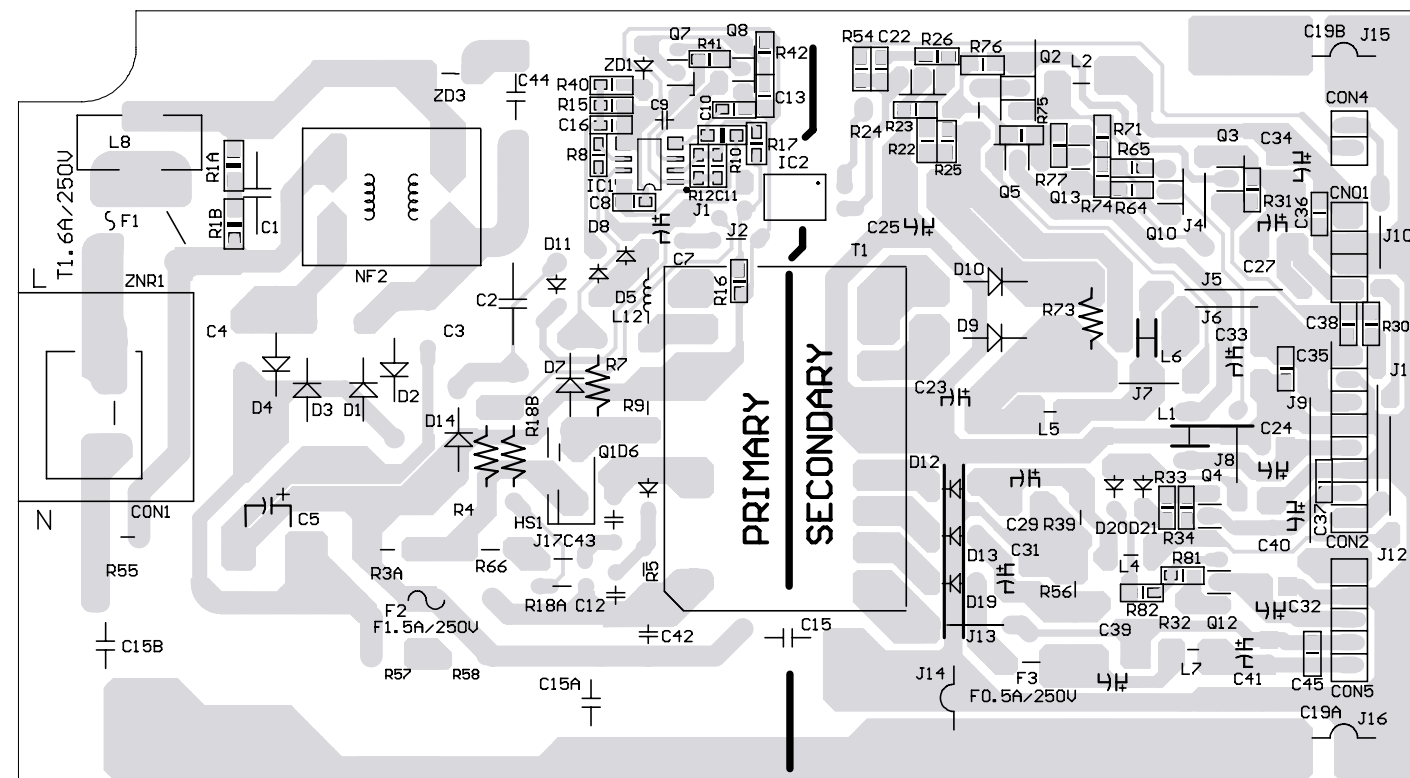
Title DVD PLAYER (WW)		BILLION	
Model No. 90PS-132 / 7XX	Rev. A	Approved	
Doc. No. RD5_90PS132_A0	Date 08-Jan-2002	Checked	
File: D:\PCB\Philips\90PS132\90PS132.Ddb\90PS132_A0.sch		Drawn by	Andrew Lin

Layout Power supply board DVD616K/031/691/751/782/931

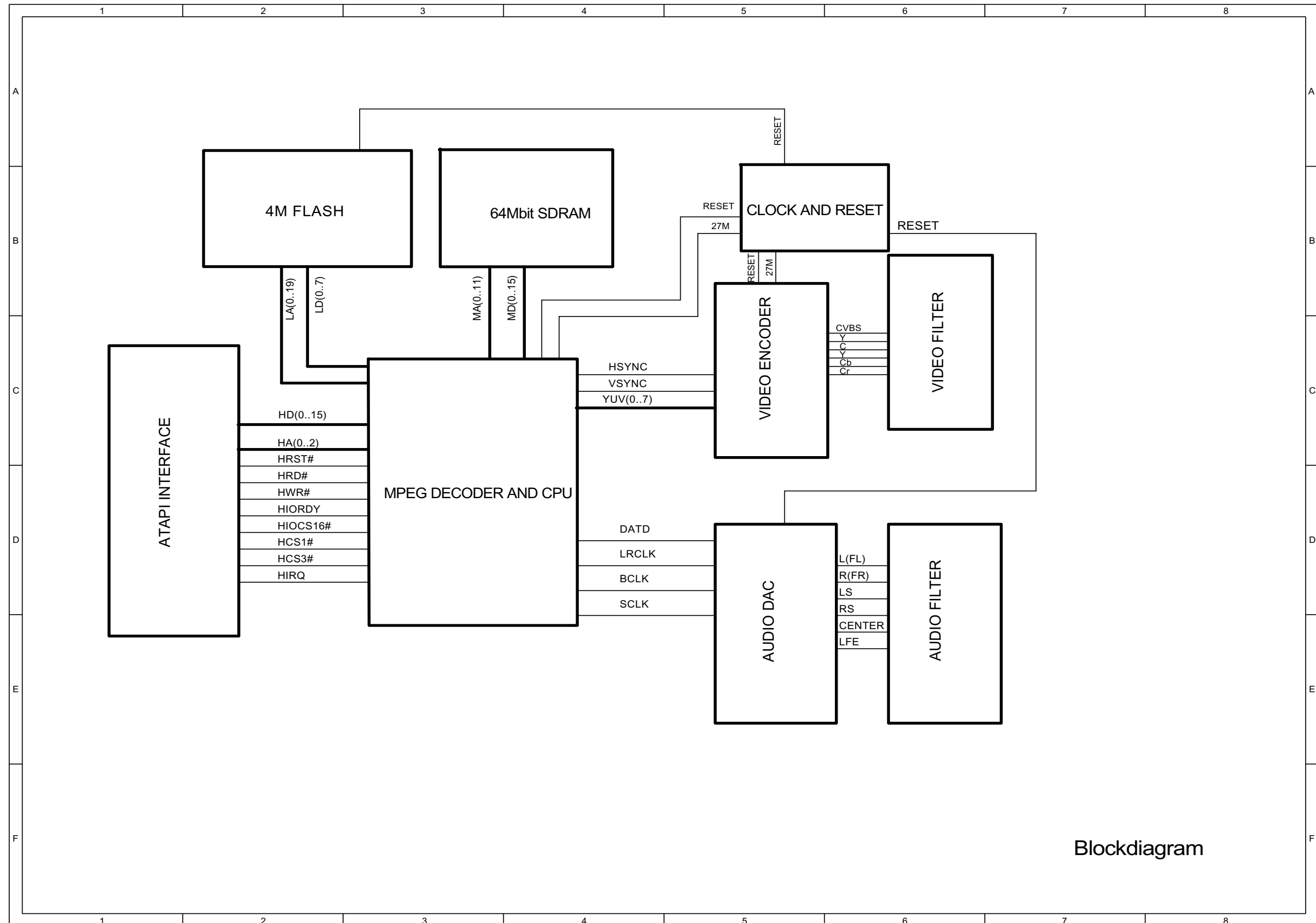
Component side



Copper side



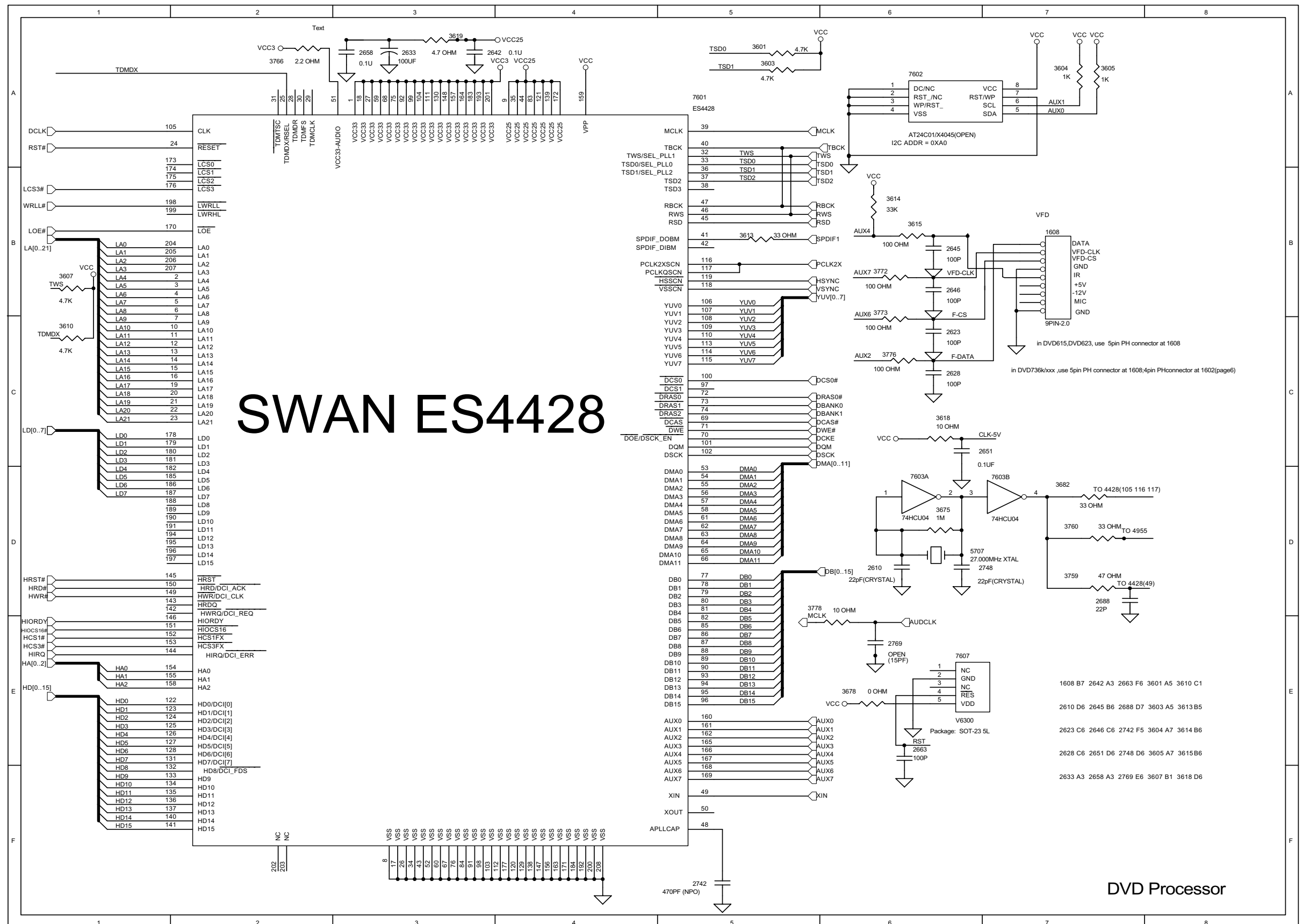
MPEG board DVD616K/031/691/751/782/931
 Blockdiagram



Blockdiagram

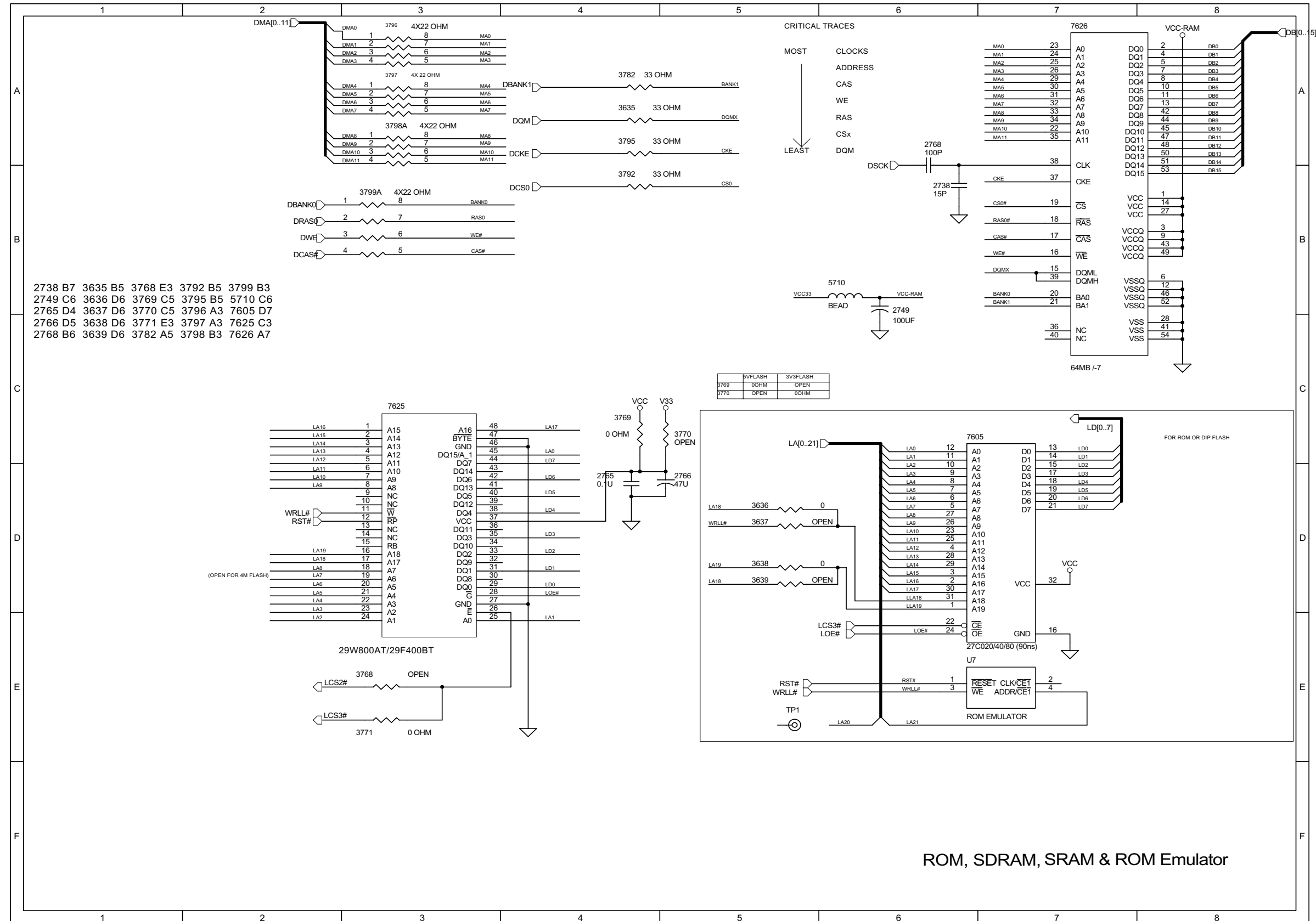
MPEG board DVD616K/031/691/751/782//931

DVD Processor



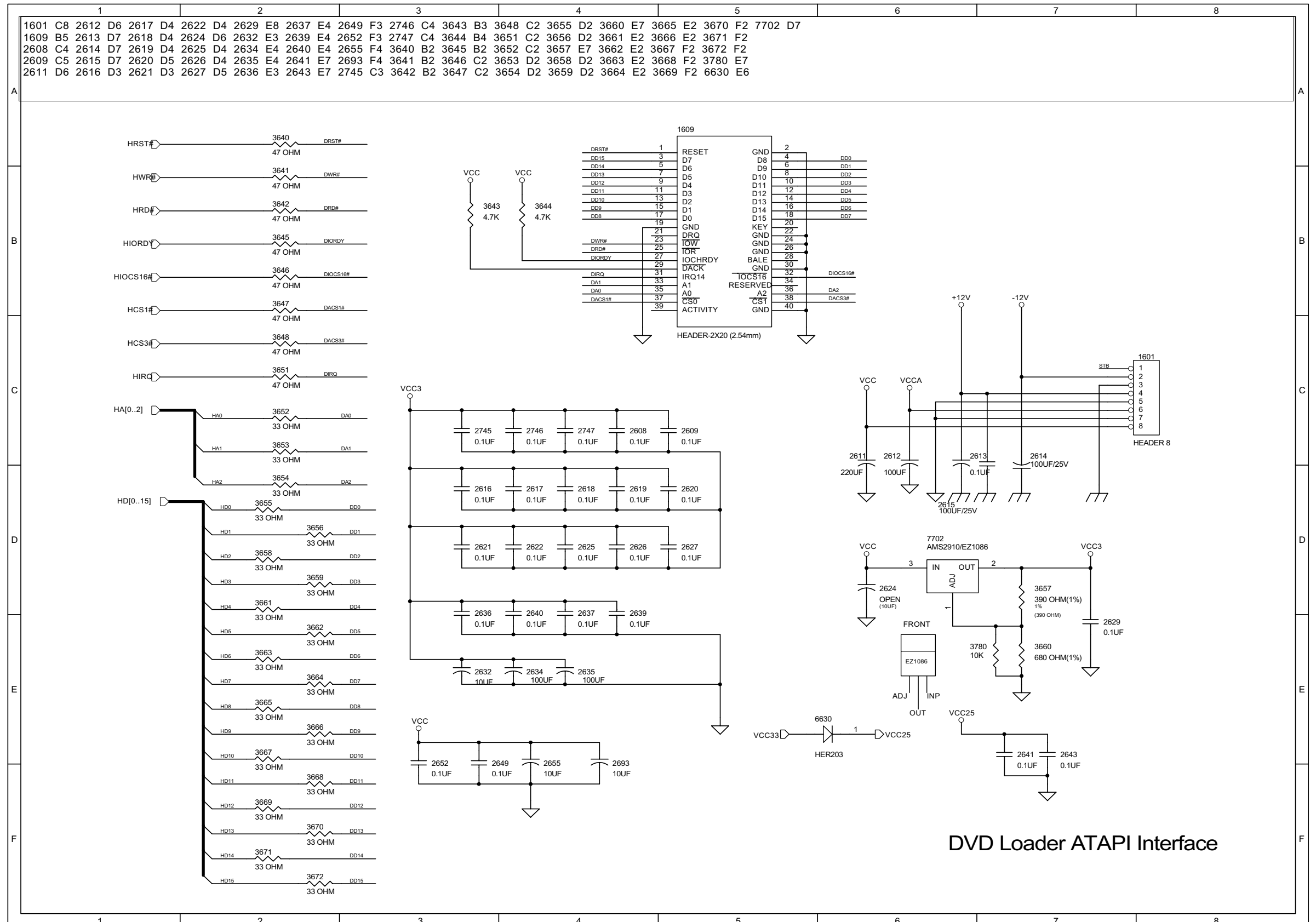
MPEG board DVD616K/031/691/751/782/931

ROM, SDRAM, SRAM & ROM Emulator



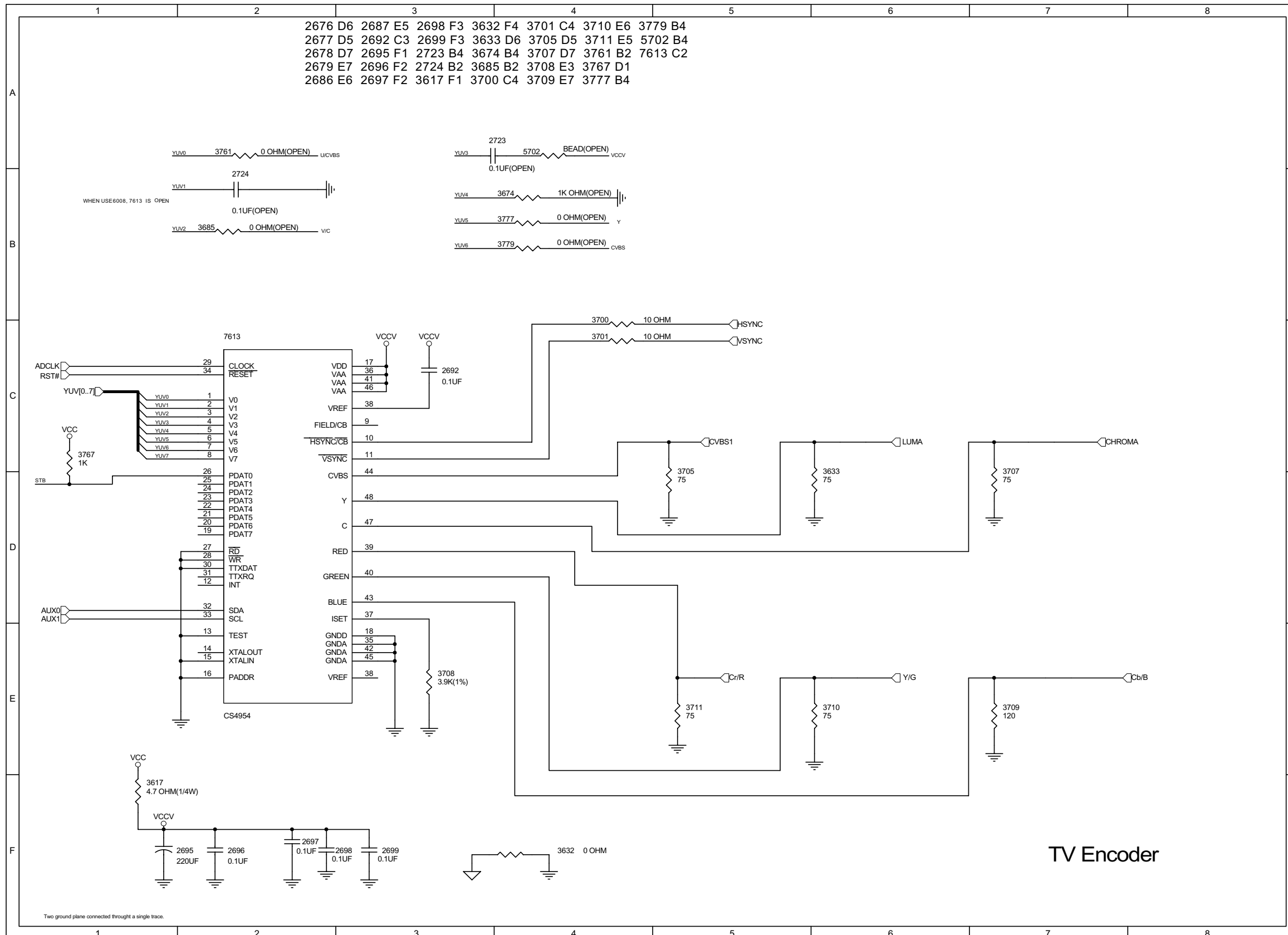
MPEG board DVD616K/031/691/751/782/931

DVD Loader ATAPI Interface

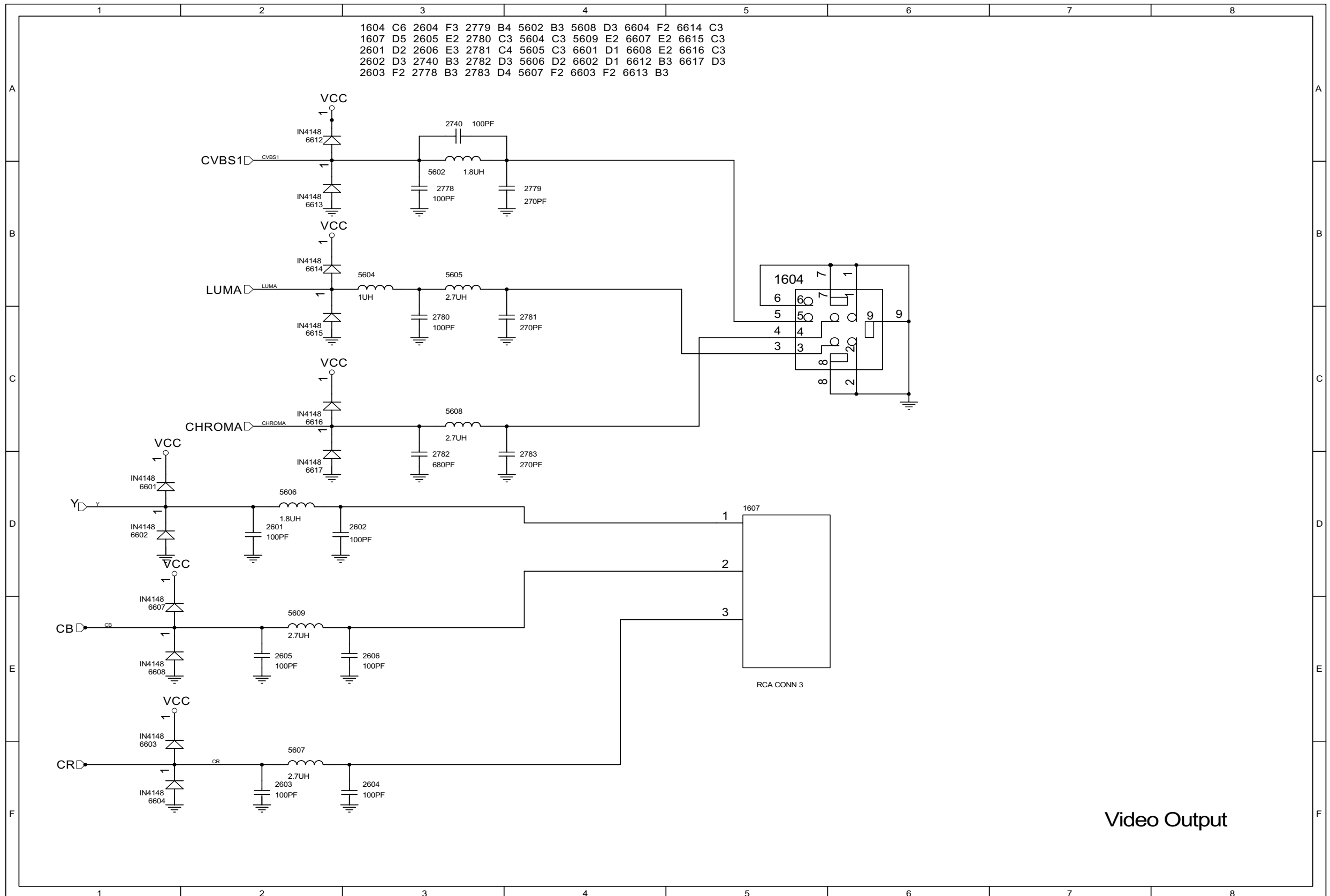


MPEG board DVD616K/031/691/751/782/931

TV Encoder

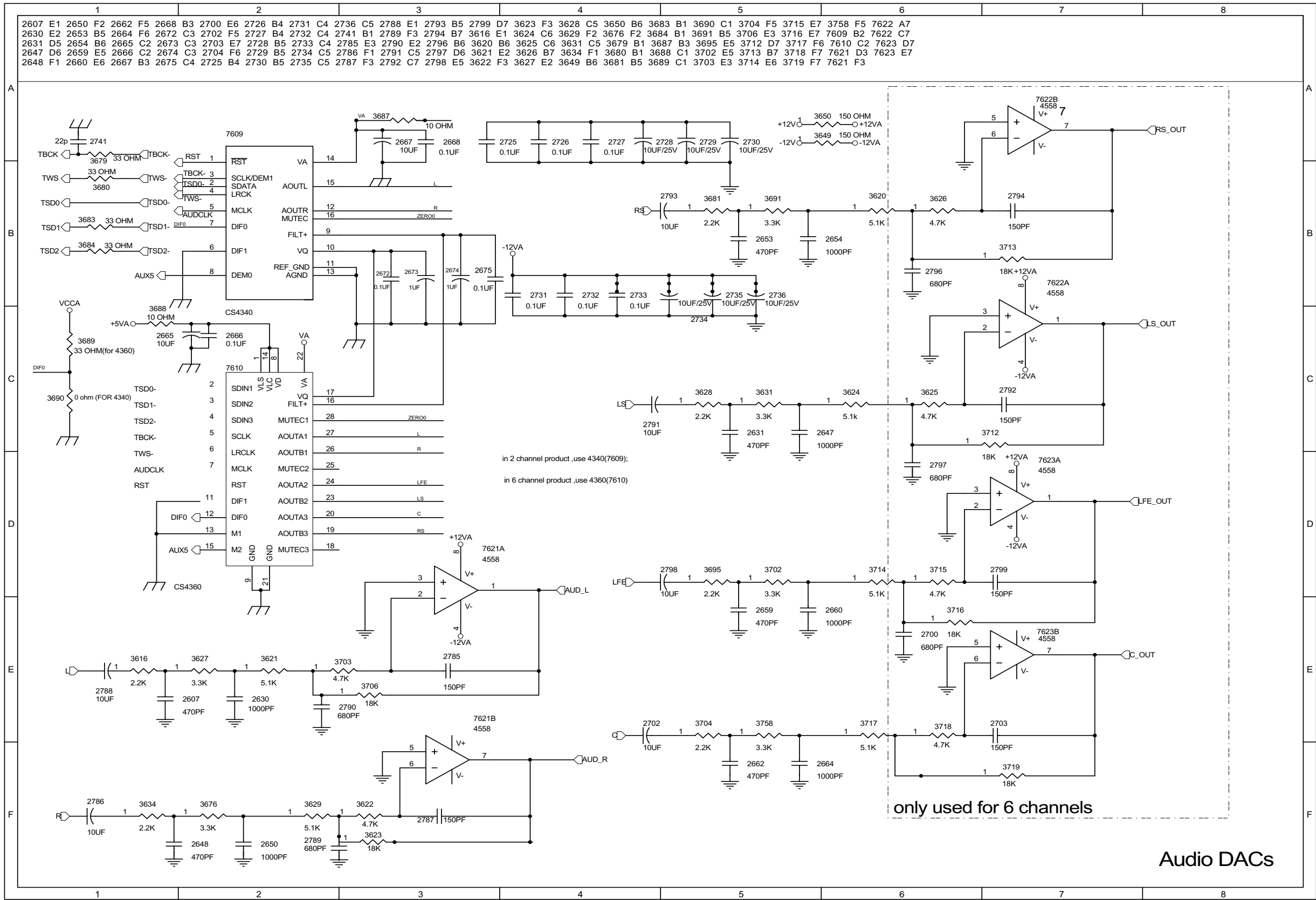


MPEG board DVD616K/031/691/751/782/931
Video Output



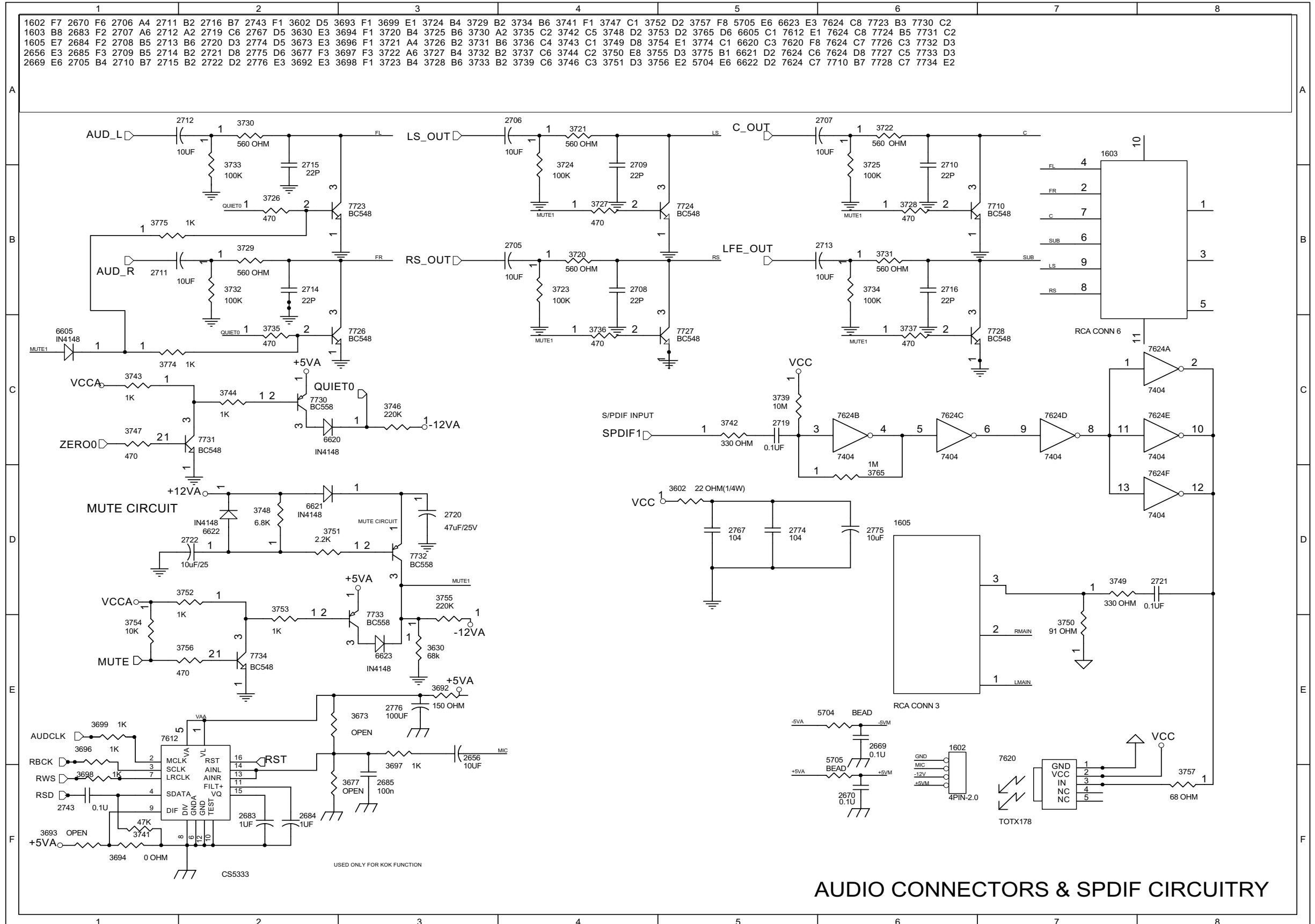
MPEG board DVD616K/031/691/751/782/931

Audio DACs



MPEG board DVD616K/031/691/751/782/931

AUDIO CONNECTORS & SPDIF CIRCUITRY



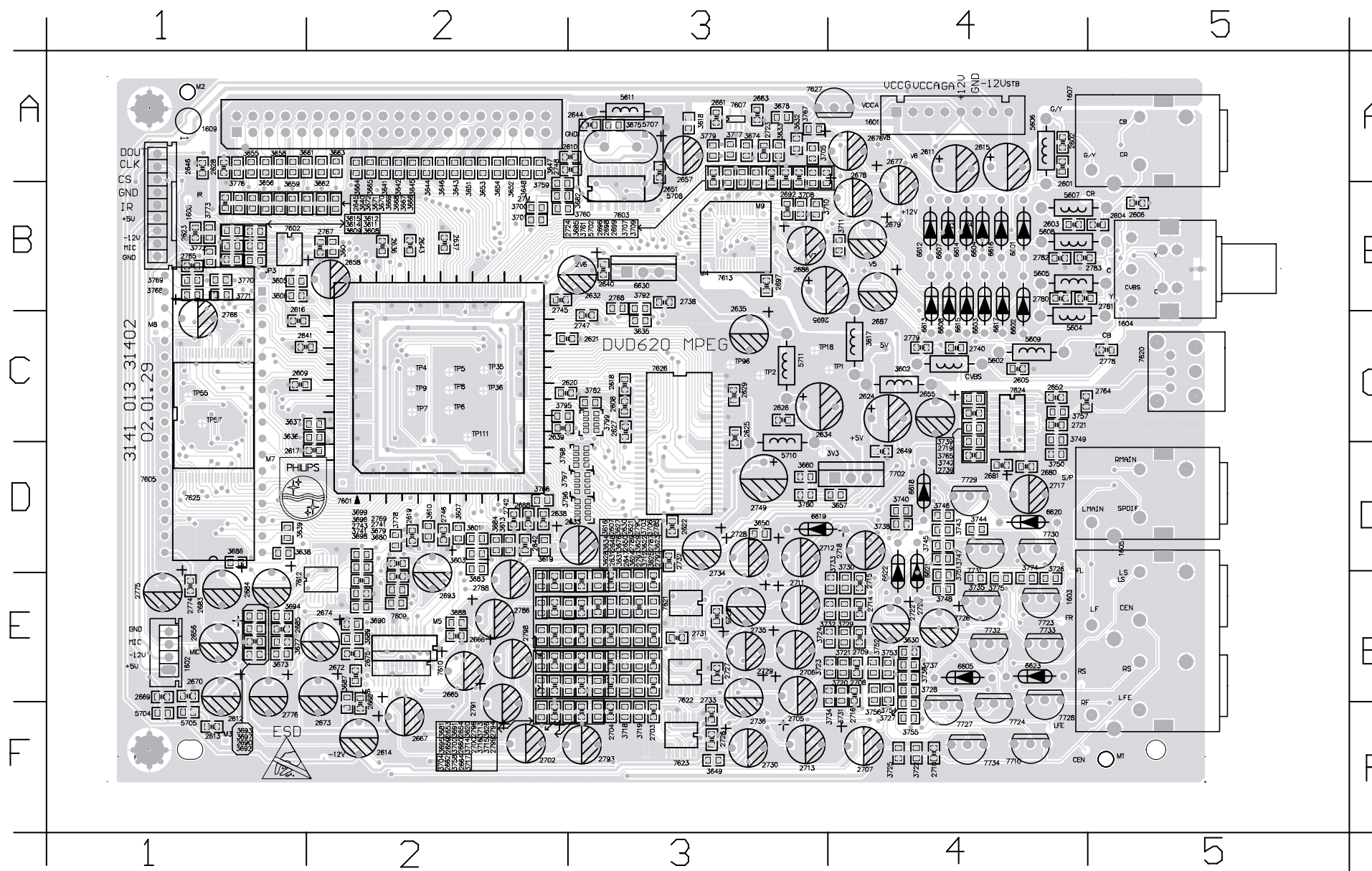
AUDIO CONNECTORS & SPDIF CIRCUITRY

Layout MPEG board (component side) DVD616K/031/691/751/782/931

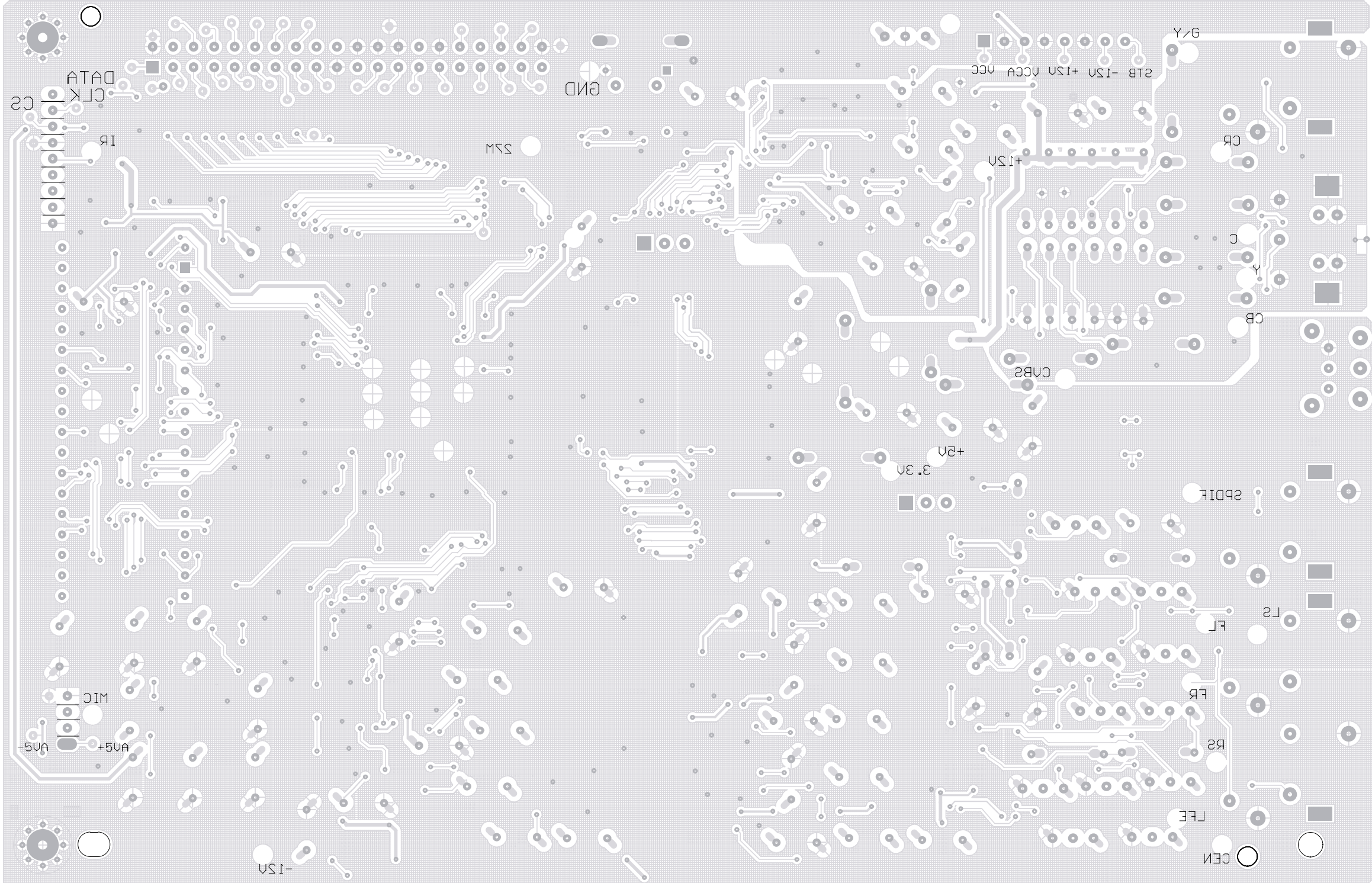
1601 A4 1607 A5 2603 B4 2608 C3 2613 F1 2618 C3 2623 B1 2628 A1 2633 B3 2638 D2 2643 B2 2648 E2 2653 E2 2658 B2 2663 A3 2668 E2 2674 E2 2679 B4 2685 E1 2692 B3 2698 A3 2704 F3 2709 E4 2714 E4 2719 C4 2724 A3 2729 E3 2734 D3 2740 C4 2746 D2
 1602 E1 1608 B1 2604 B5 2609 C1 2614 F2 2619 D2 2624 C4 2629 C3 2634 C3 2639 C2 2644 A3 2649 D4 2654 E3 2659 E2 2664 F3 2669 E1 2675 E2 2680 D4 2686 B3 2693 D2 2699 A3 2705 E3 2710 F4 2715 E4 2720 E4 2725 E3 2730 F3 2735 E3 2741 D2 2747 B3
 1603 E5 1609 A2 2605 C4 2610 A3 2615 A4 2620 C3 2625 C3 2630 E3 2635 C3 2640 B3 2645 B1 2650 E3 2655 C4 2660 E3 2665 E2 2670 E1 2676 A4 2681 D4 2687 B4 2695 D4 2700 E3 2706 E3 2711 E3 2716 E4 2721 C4 2726 F3 2731 E3 2736 E3 2742 D2 2748 A3
 1604 B5 2601 A4 2606 B5 2611 A4 2616 C1 2621 C3 2626 C3 2631 E2 2636 B2 2641 C1 2646 A1 2651 A3 2656 E1 2661 A3 2666 E2 2672 E2 2677 A4 2683 E1 2688 D2 2696 A3 2702 F2 2707 E4 2712 D3 2717 D4 2722 E4 2727 E3 2732 D3 2738 B3 2743 E2 2749 D3
 1605 D5 2602 A4 2607 E2 2612 E1 2617 D2 2622 D3 2627 C3 2632 B3 2637 B2 2642 D2 2647 E3 2652 C4 2657 A3 2662 F2 2667 F2 2673 B2 2678 B4 2684 E1 2690 E1 2697 B3 2703 F3 2708 E4 2713 F3 2718 D4 2723 A3 2728 D3 2733 F3 2739 D4 2745 B2 2764 C5

2765 B1 2774 E1 2780 B4 2786 E2 2791 E2 2797 E3 3603 D2 3608 B1 3613 D2 3618 A3 3623 E3 3628 E2 3633 A3 3638 D1 3643 A2 3648 A2 3653 A2 3658 A1 3663 A2 3668 B1 3673 E1 3678 A3 3683 D2 3688 E2 3693 E1 3698 E2 3703 E3 3708 B3 3713 E3 3718 F3
 2766 B1 2775 E1 2781 B5 2787 E3 2792 E3 2798 E2 3604 B2 3609 B1 3614 B1 3619 D2 3624 E3 3629 E3 3634 E2 3639 D1 3644 A2 3649 F3 3654 A2 3659 A1 3664 A2 3669 B1 3674 A3 3679 E2 3684 D2 3689 E2 3694 E1 3699 D2 3704 F2 3709 A4 3714 E3 3719 F3
 2767 B2 2776 E1 2782 B4 2788 E2 2793 F3 2799 E3 3605 B1 3610 D2 3615 B1 3620 E3 3625 E3 3630 E4 3635 C3 3640 B1 3645 A2 3650 D3 3655 A1 3660 D3 3665 A2 3670 B1 3675 A3 3680 E2 3685 A3 3690 E2 3695 E2 3700 B2 3705 A3 3710 B3 3715 E3 3720 E4
 2768 B3 2778 C5 2783 B5 2789 E3 2794 E3 3601 D2 3606 B1 3611 B1 3616 E2 3621 E3 3626 E3 3631 E3 3636 C2 3641 A2 3646 A2 3651 F2 3656 A1 3661 A1 3666 B2 3671 B1 3676 E3 3681 E2 3686 A1 3691 E3 3696 D2 3701 B2 3706 E3 3711 B4 3716 E3 3721 E4
 2769 D2 2779 C4 2785 E3 2790 E3 2796 E3 3602 C4 3607 D2 3612 B1 3617 C4 3622 E3 3627 E3 3632 A3 3637 C2 3642 A2 3647 A2 3652 A2 3657 D4 3662 A2 3667 B2 3672 B1 3677 E1 3682 E2 3687 E2 3692 E1 3697 E1 3702 E3 3707 A3 3712 E3 3717 F3 3722 F4

3723 E4 3724 E4
 3725 F4 3726 E4
 3727 E4 3728 E4
 3729 E4 3730 E4
 3731 E4 3732 E4
 3733 E4 3734 E4
 3735 E4 3736 E4
 3737 E4 3738 E4
 3739 C4 3740 D4
 3741 E2 3742 C4
 3743 D4 3744 D4
 3745 D4 3746 D4
 3747 D4 3748 E4
 3749 C4 3750 D4
 3751 D4 3752 E4
 3753 E4 3754 E4
 3755 F4 3756 E4
 3757 C4 3758 F3
 3759 A2 3760 B2
 3761 A3 3765 C4
 3766 D2 3767 A3
 3768 B1 3769 B1
 3770 B1 3771 B1
 3772 B1 3773 B1
 3774 E4 3775 E4
 3776 A1 3777 A3
 3778 D2 3779 A3
 3780 D3 3782 C3
 3792 B3 3795 C2
 3796 D3 3797 D3
 3798 D3 3799 C3
 5602 C4 5604 B4
 5605 B4 5606 A4
 5607 B4 5608 B4
 5609 C4 5611 A3
 5702 A3 5704 F1
 5705 F1 5707 A3
 5708 A3 5710 C3
 5711 C3 6601 B4
 6602 B4 6603 B4
 6604 B4 6605 E4
 6607 B4 6608 B4
 6612 B4 6613 B4
 6614 B4 6615 B4
 6616 B4 6617 B4
 6618 D4 6619 D3
 6620 D4 6621 D4
 6622 D4 6623 E4
 6630 B3 7601 C2
 7602 B1 7603 A3
 7605 C1 7607 A3
 7609 E2 7610 E2
 7612 E2 7613 B3
 7620 C5 7621 E3
 7622 E3 7623 F3
 7624 C4 7625 C1
 7626 C3 7627 A4
 7702 D4 7710 F4
 7723 E4 7724 E4
 7726 E4 7727 F4
 7728 F4 7729 D4
 7730 D4 7731 D4
 7732 E4 7733 E4
 7734 F4

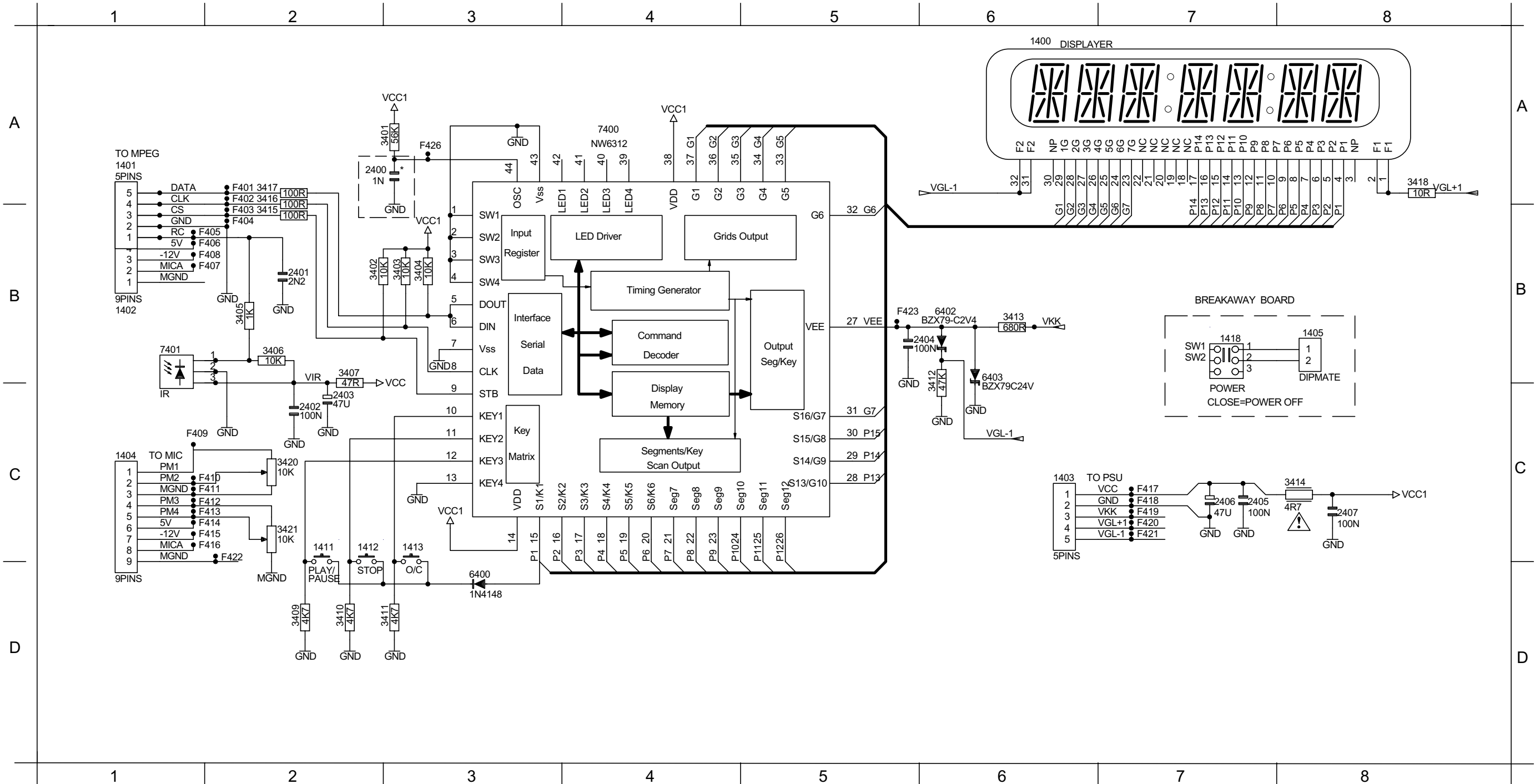


Layout MPEG board (copper side) DVD616K/031/691/751/782/931



Front board DVD616K/031/691/751782//931

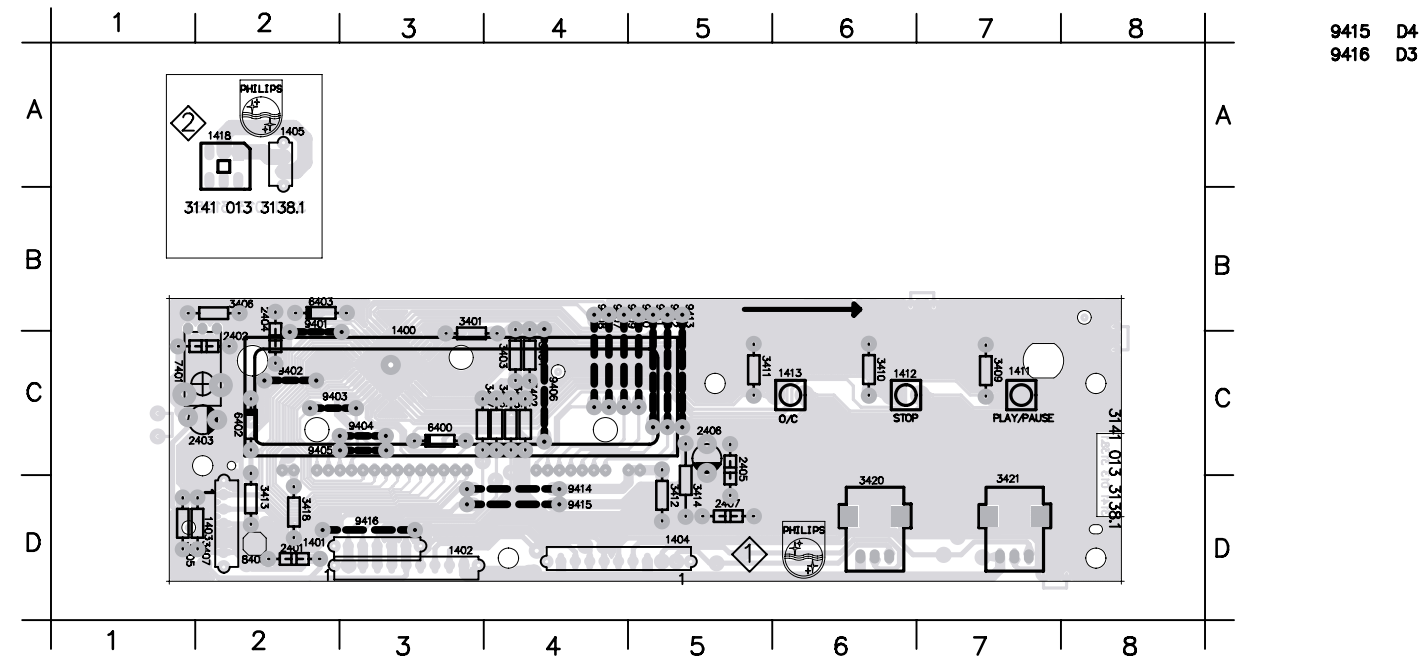
1400	A7	1405	B8	2400	B3	2405	C7	3403	B3	3409	D2	3414	C8	3420	C2	7400	B4	F404	B2	F409	C1	F414	C1	F419	C7	F426	B3
1401	B1	1411	C2	2401	B2	2406	C7	3404	B3	3410	D2	3415	B2	3421	C2	7401	B1	F405	B1	F410	C1	F415	C1	F420	C7		
1402	B1	1412	C2	2402	C2	2407	C8	3405	B2	3411	D3	3416	B2	6400	D3	F401	A2	F406	B1	F411	C1	F416	C1	F421	C7		
1403	C6	1413	C3	2403	C2	3401	A3	3406	B2	3412	B6	3417	B2	6402	B6	F402	A2	F407	B1	F412	C1	F417	C7	F422	C2		
1404	C1	1418	B7	2404	B5	3402	B3	3407	B2	3413	B6	3418	A8	6403	B6	F403	B2	F408	B1	F413	C1	F418	C7	F423	B5		



Layout Front board DVD616K/031/691/751/782/931

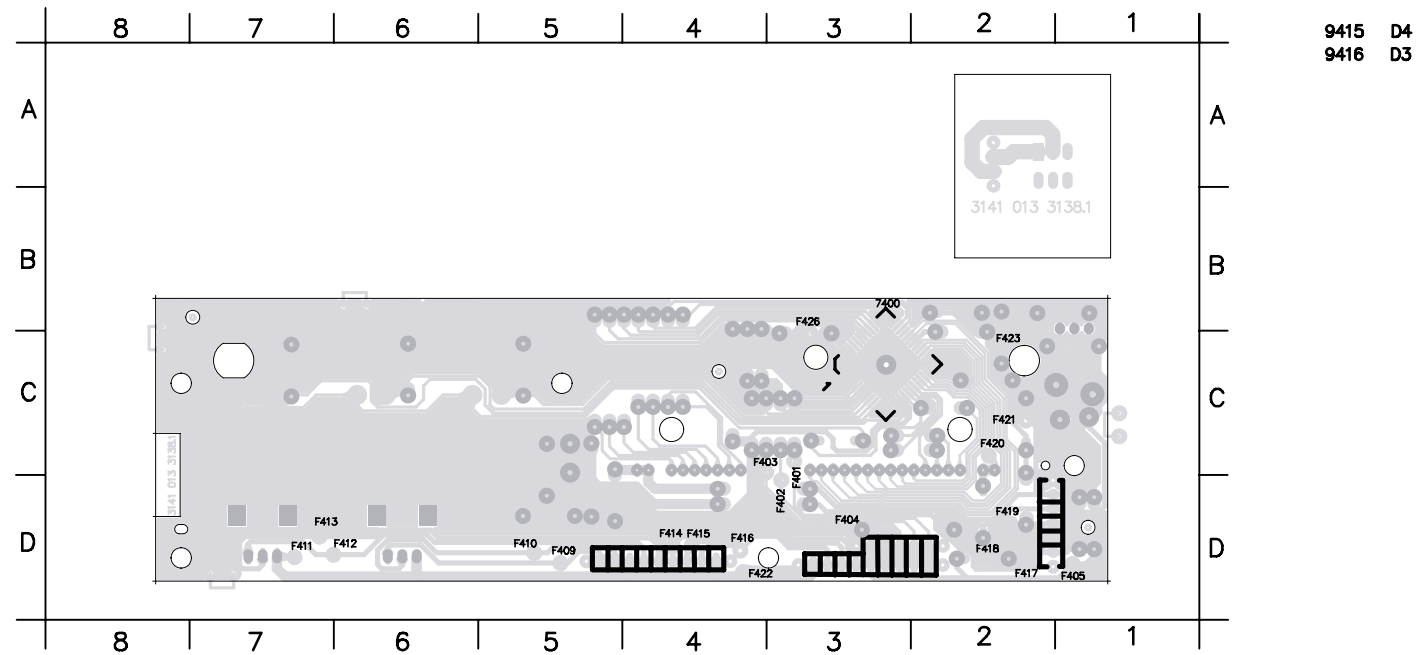
Component side

1400	C3	1405	A2	2401	D2	2406	C5	3404	C4	3410	C6	3415	C4	3421	D7	8406	D2	9405	C3	9410	C5
1401	D3	1411	C7	2402	C2	2407	D5	3405	D1	3411	C5	3416	C4	6400	C3	9401	C2	9406	C4	9411	C5
1402	D3	1412	C6	2403	C2	3401	C3	3406	B2	3412	D5	3417	C3	6402	C2	9402	C2	9407	C4	9412	C5
1403	D2	1413	C6	2404	C2	3402	C4	3407	D2	3413	D2	3418	D2	6403	B2	9403	C2	9408	C4	9413	C5
1404	D4	1418	A2	2405	C5	3403	C4	3409	C7	3414	D5	3420	D6	7401	C2	9404	C3	9409	C4	9414	D4



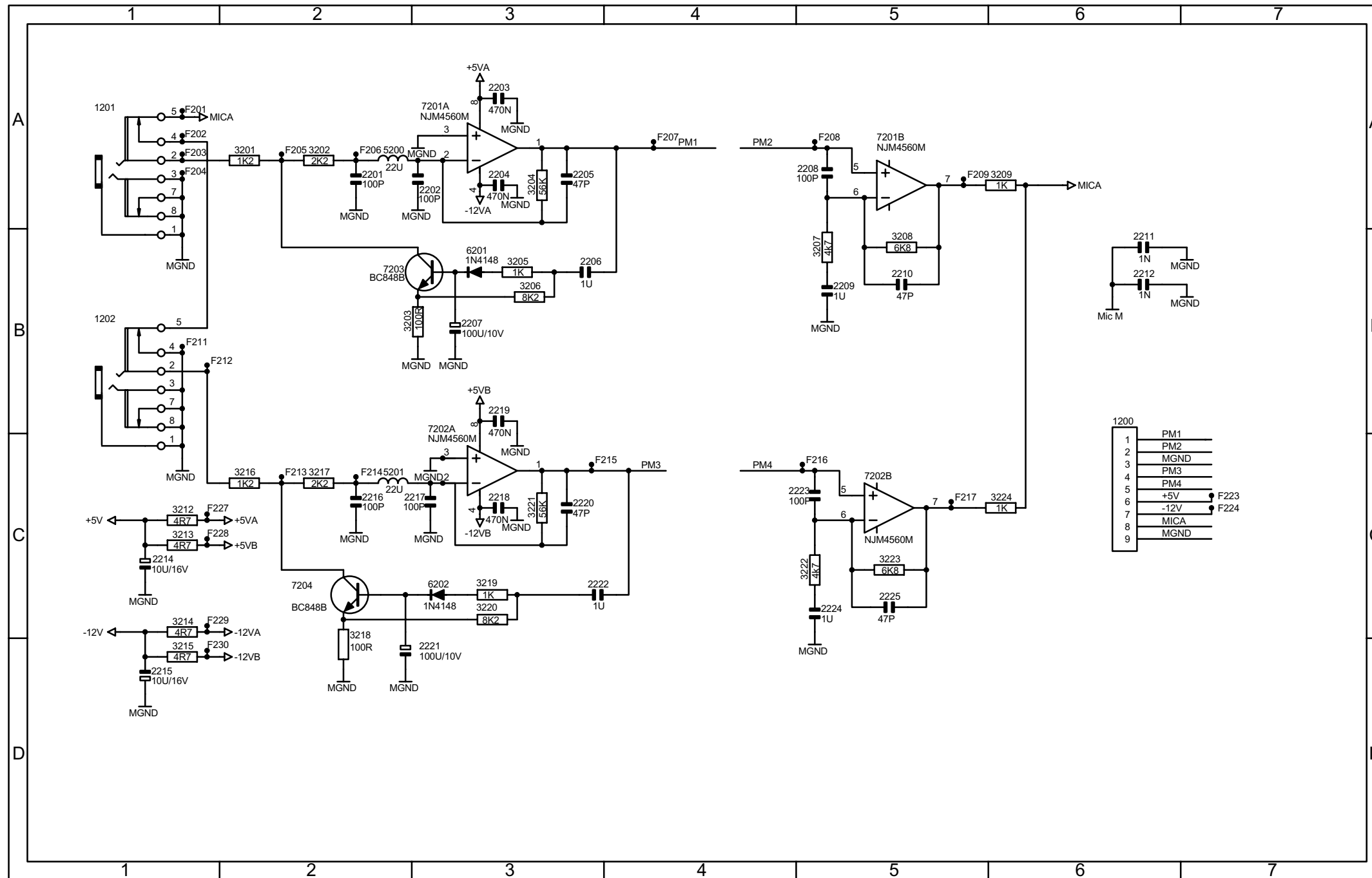
Copper side

1400	C3	1405	A2	2401	D2	2406	C5	3404	C4	3410	C6	3415	C4	3421	D7	8406	D2	9405	C3	9410	C5
1401	D3	1411	C7	2402	C2	2407	D5	3405	D1	3411	C5	3416	C4	6400	C3	9401	C2	9406	C4	9411	C5
1402	D3	1412	C6	2403	C2	3401	C3	3406	B2	3412	D5	3417	C3	6402	C2	9402	C2	9407	C4	9412	C5
1403	D2	1413	C6	2404	C2	3402	C4	3407	D2	3413	D2	3418	D2	6403	B2	9403	C2	9408	C4	9413	C5
1404	D4	1418	A2	2405	C5	3403	C4	3409	C7	3414	D5	3420	D6	7401	C2	9404	C3	9409	C4	9414	D4



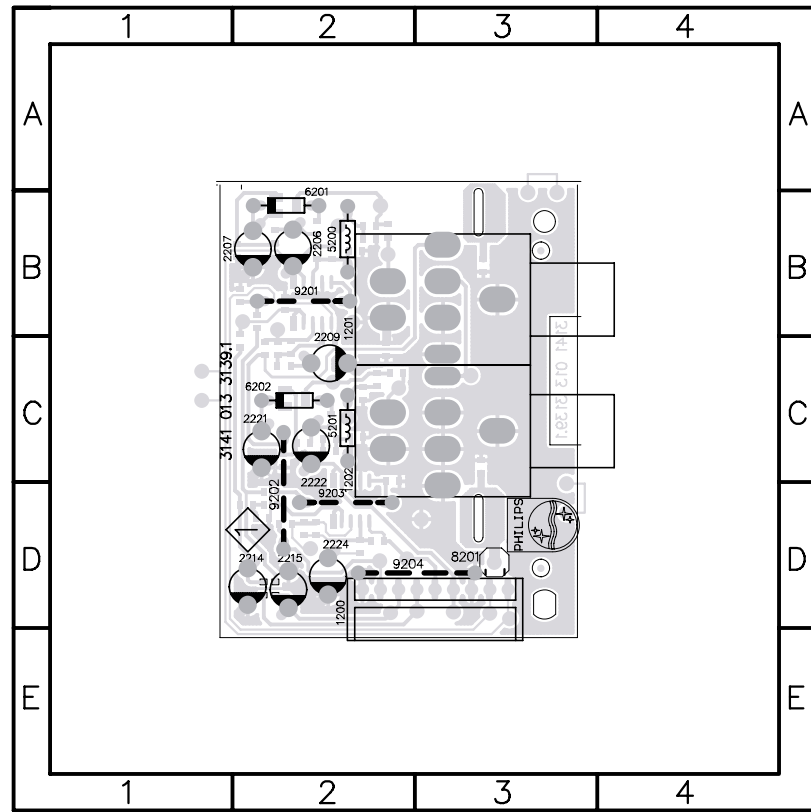
MIC board DVD616K/031/691/751782//931

1200 C6 2202 A3 2207 B3 2212 B6 2218 C3 2223 C5 3203 B3 3208 B5 3215 D1 3220 C3 5200 A2 7201B A5 F201 A1 F206 A2 F212 B1 F217 C5 F229 C1
 1201 A1 2203 A3 2208 A5 2214 C1 2219 B3 2224 C5 3204 A3 3209 A5 3216 C2 3221 C3 5201 C2 7202A C3 F202 A1 F207 A4 F213 C2 F223 C7
 1202 B1 2204 A3 2209 B5 2215 D1 2220 C3 2225 C5 3205 B3 3212 C1 3217 C2 3222 C5 6201 B3 7202B C5 F203 A1 F208 A5 F214 C2 F224 C7
 2201 A2 2205 A3 2210 B5 2216 C2 2221 C2 3201 A2 3206 B3 3213 C1 3218 D2 3223 C5 6202 C3 7203 B3 F204 A1 F209 A5 F215 C3 F227 C1
 2202 A3 2206 B3 2211 B6 2217 C3 2222 C3 3202 A2 3207 A5 3214 C1 3219 C3 3224 C5 7201A A3 7204 C2 F205 A2 F211 B1 F216 C5 F228 C1



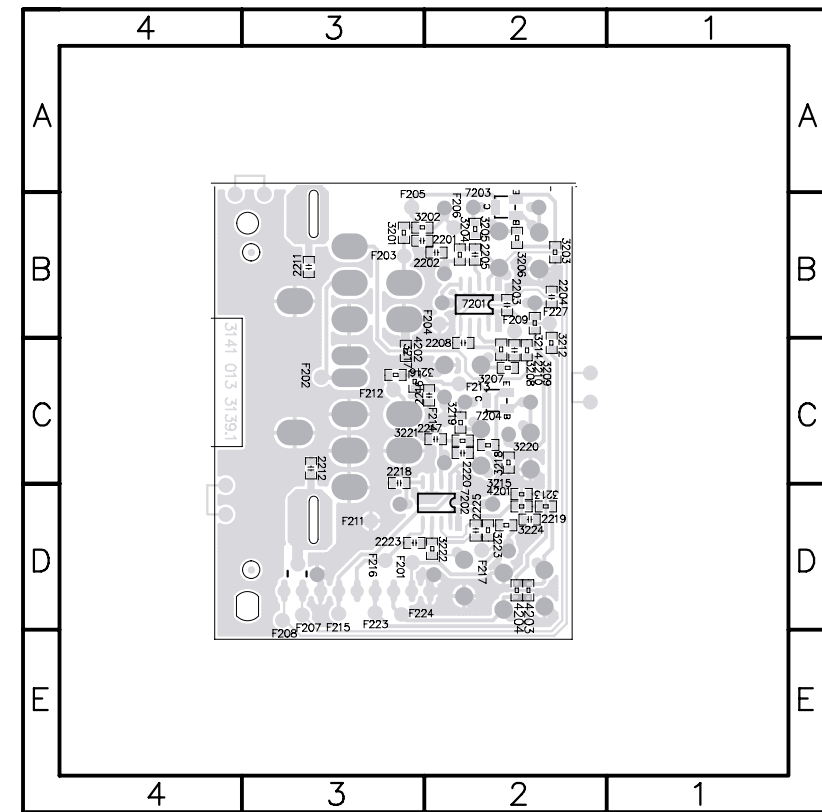
Layout MIC board DVD616K/031/691/751/782/931 (component side)

1200	D3	8201	D3	F212	C2
1201	B3	9201	B2	F213	C2
1202	C3	9202	D2	F214	C2
2206	B2	9203	D2	F215	D3
2207	B2	9204	D3	F216	D2
2209	C2	F201	D2	F217	D2
2214	D2	F202	C3	F223	D3
2215	D2	F203	B2	F224	D2
2221	C2	F204	B2	F227	B2
2222	C2	F205	B2		
2224	D2	F206	B2		
5200	B2	F207	D3		
5201	C2	F208	D3		
6201	B2	F209	B2		
6202	C2	F211	D3		



Layout MIC board DVD730K/031/691/751/782/931(copper side)

1200	D3	8201	D3	F212	C2
1201	B3	9201	B2	F213	C2
1202	C3	9202	D2	F214	C2
2206	B2	9203	D2	F215	D3
2207	B2	9204	D3	F216	D2
2209	C2	F201	D2	F217	D2
2214	D2	F202	C3	F223	D3
2215	D2	F203	B2	F224	D2
2221	C2	F204	B2	F227	B2
2222	C2	F205	B2		
2224	D2	F206	B2		
5200	B2	F207	D3		
5201	C2	F208	D3		
6201	B2	F209	B2		
6202	C2	F211	D3		



8. Spare parts list DVD616K/031

Mechanical

0200	3141 017 76140	CAB FRONT DVD616K/691 PNT PRT
0201	3141 014 24720	BRACKET
0204	3141 017 76220	WINDOW DVD616K
0205	3141 017 75590	BUTTON POWER DVD616K PNT PRT
0208	3141 017 75580	VOLUME KNOB DVD616K PNT
0219	3141 017 75600	DOOR DVD616K PRT
0240	3141 017 75570	BUTTON CONTROL DVD616K PNT PRT
0249	3139 243 10080	CUSHION FOOT
0260	4822 532 60948	BUSH, PLASTIC
0384	3141 017 90161	REMOTE CONTROL
1001	3141 018 02930	PBAS PSU 90PS-132 WR BILLION
1002	3141 018 02810	PBAS MPEG DVD616K/031
1003	3141 018 02660	DVD LOADER MODULE A95H
1004	3141 018 02550	PBAS FRONT DVD616K/931
1005	3141 018 02560	PBAS MIC DVD616K/931
△ 5001	3141 018 71300	MAIN CORD M7.92VH 1.60M
8001	3141 010 21160	CWAS 40RK/40RK 300 40 28S
8002	3141 010 21140	CWAS 08XH/08XH 350 8 WH 26S
8003	3141 010 21150	CWAS 04XH/04LC 300 22S

MPEG BOARD 3141 018 02810

MISCELLANEOUS

1601	2422 025 09074	CONNECTOR 8P TOP
1604	3141 010 30250	CON S-VIDEO AND CVBS
1605	3141 010 30310	CON BM CINCH V 3P F WHRDBK B
1607	3141 010 30300	CON BM CINCH V 3P F GNBURD
1608	2422 025 10769	CON BMT 9P VERT PH-B
1609	3141 010 30350	CON BM V 40P M 2.54 1-440094-2

CAPACITORS

2601	2020 552 94427	CER1 0603 NP0 50V 100P PM5 R
2602	2020 552 94427	CER1 0603 NP0 50V 100P PM5 R
2603	2020 552 94427	CER1 0603 NP0 50V 100P PM5 R
2604	2020 552 94427	CER1 0603 NP0 50V 100P PM5 R
2605	2020 552 94427	CER1 0603 NP0 50V 100P PM5 R
2606	2020 552 94427	CER1 0603 NP0 50V 100P PM5 R
2608	2222 586 18812	CER2 0603 X7R 50V 100N PM10 R
2609	2222 586 18812	CER2 0603 X7R 50V 100N PM10 R
2610	9965 000 05913	22PF +-2% 50V
2611	4822 124 40196	220UF20% 16V
2612	4822 124 11947	10UF 20% 16V
2613	2222 586 18812	CER2 0603 X7R 50V 100N PM10 R

2614	4822 124 40207	100UF20% 25V
2615	4822 124 40207	100UF20% 25V
2616	2222 586 18812	CER2 0603 X7R 50V 100N PM10 R
2617	2222 586 18812	CER2 0603 X7R 50V 100N PM10 R
2618	2222 586 18812	CER2 0603 X7R 50V 100N PM10 R
2619	2222 586 18812	CER2 0603 X7R 50V 100N PM10 R
2620	2222 586 18812	CER2 0603 X7R 50V 100N PM10 R
2621	2222 586 18812	CER2 0603 X7R 50V 100N PM10 R
2622	2222 586 18812	CER2 0603 X7R 50V 100N PM10 R
2623	2020 552 94427	CER1 0603 NP0 50V 100P PM5 R
2624	4822 124 81021	100UF20% 16V
2625	2222 586 18812	CER2 0603 X7R 50V 100N PM10 R
2626	2222 586 18812	CER2 0603 X7R 50V 100N PM10 R
2627	2222 586 18812	CER2 0603 X7R 50V 100N PM10 R
2628	9965 000 05913	22PF +-2% 50V
2629	2222 586 18812	CER2 0603 X7R 50V 100N PM10 R
2632	4822 124 81021	100UF20% 16V
2633	4822 124 11947	10UF 20% 16V
2634	4822 124 81021	100UF20% 16V
2635	4822 124 81021	100UF20% 16V
2636	2222 586 18812	CER2 0603 X7R 50V 100N PM10 R
2637	2222 586 18812	CER2 0603 X7R 50V 100N PM10 R
2639	2222 586 18812	CER2 0603 X7R 50V 100N PM10 R
2640	2222 586 18812	CER2 0603 X7R 50V 100N PM10 R
2641	2222 586 18812	CER2 0603 X7R 50V 100N PM10 R
2642	2222 586 18812	CER2 0603 X7R 50V 100N PM10 R
2643	2222 586 18812	CER2 0603 X7R 50V 100N PM10 R
2645	2020 552 94427	CER1 0603 NP0 50V 100P PM5 R
2646	2020 552 94427	CER1 0603 NP0 50V 100P PM5 R
2649	2222 586 18812	CER2 0603 X7R 50V 100N PM10 R
2651	2222 586 18812	CER2 0603 X7R 50V 100N PM10 R
2652	2222 586 18812	CER2 0603 X7R 50V 100N PM10 R
2655	4822 124 81021	100UF20% 16V
2656	4822 124 11947	10UF 20% 16V
2657	4822 124 11947	10UF 20% 16V
2658	4822 124 11947	10UF 20% 16V
2663	2020 552 94427	CER1 0603 NP0 50V 100P PM5 R
2667	4822 124 11947	10UF 20% 16V
2668	2222 586 18812	CER2 0603 X7R 50V 100N PM10 R
2669	2222 586 18812	CER2 0603 X7R 50V 100N PM10 R
2670	2222 586 18812	CER2 0603 X7R 50V 100N PM10 R
2672	2222 586 18812	CER2 0603 X7R 50V 100N PM10 R
2673	4822 124 21913	1UF20% 63V
2674	4822 124 21913	1UF20% 63V
2675	2222 586 18812	CER2 0603 X7R 50V 100N PM10 R

2683	4822 124 21913	1UF20% 63V
2684	4822 124 21913	1UF20% 63V
2685	2238 586 19812	CER2 0603 Y5V 50V 100N P8020 R
2688	9965 000 05913	22PF +-2% 50V
2692	2222 586 18812	CER2 0603 X7R 50V 100N PM10 R
2693	4822 124 11947	10UF 20% 16V
2695	4822 124 40196	220UF20% 16V
2696	2222 586 18812	CER2 0603 X7R 50V 100N PM10 R
2697	2222 586 18812	CER2 0603 X7R 50V 100N PM10 R
2698	2222 586 18812	CER2 0603 X7R 50V 100N PM10 R
2699	2222 586 18812	CER2 0603 X7R 50V 100N PM10 R
2711	4822 124 11947	10UF 20% 16V
2712	4822 124 11947	10UF 20% 16V
2714	9965 000 05913	22PF +-2% 50V
2715	9965 000 05913	22PF +-2% 50V
2717	4822 124 23624	47UF20% 16V
2719	2222 586 18812	CER2 0603 X7R 50V 100N PM10 R
2721	2222 586 18812	CER2 0603 X7R 50V 100N PM10 R
2725	2222 586 18812	CER2 0603 X7R 50V 100N PM10 R
2728	4822 124 40248	10UF20% 63V
2732	2222 586 18812	CER2 0603 X7R 50V 100N PM10 R
2734	4822 124 40248	10UF20% 63V
2738	4822 122 33752	15PF 5%NP0 50V
2740	2020 552 94427	CER1 0603 NP0 50V 100P PM5 R
2741	9965 000 05913	22PF +-2% 50V
2742	4822 126 13881	470PF 5% 50V
2743	2222 586 18812	CER2 0603 X7R 50V 100N PM10 R
2745	2222 586 18812	CER2 0603 X7R 50V 100N PM10 R
2746	2222 586 18812	CER2 0603 X7R 50V 100N PM10 R
2747	2222 586 18812	CER2 0603 X7R 50V 100N PM10 R
2748	9965 000 05913	22PF +-2% 50V
2749	4822 124 81021	100UF20% 16V
2765	2222 586 18812	CER2 0603 X7R 50V 100N PM10 R
2766	4822 124 81021	100UF20% 16V
2767	2222 586 18812	CER2 0603 X7R 50V 100N PM10 R
2768	2020 552 94427	CER1 0603 NP0 50V 100P PM5 R
2774	2222 586 18812	CER2 0603 X7R 50V 100N PM10 R
2775	4822 124 11947	10UF 20% 16V
2776	4822 124 81021	100UF20% 16V
2778	2020 552 94427	CER1 0603 NP0 50V 100P PM5 R
2779	2020 552 94427	CER1 0603 NP0 50V 100P PM5 R
2780	2020 552 94427	CER1 0603 NP0 50V 100P PM5 R
2781	4822 126 14506	270PF 5% 50V 0603 NP0
2782	3198 016 36810	CER1 0603 NP0 25V 680P COL R
2783	4822 126 14506	270PF 5% 50V 0603 NP0

8. Spare parts list DVD616K/031

2785 4822 122 33753 150PF 5%NP0 50V
 2786 4822 124 11947 10UF 20% 16V
 2787 4822 122 33753 150PF 5%NP0 50V
 2788 4822 124 11947 10UF 20% 16V
 2789 5322 126 11578 1NF 10% X7R 50V 0603
 2790 5322 126 11578 1NF 10% X7R 50V 0603

RESISTORS

3601 4822 051 30472 4K70 5% 0,062W
 3602 4822 050 22209 22R00 1% 0,6W
 3603 4822 051 30472 4K70 5% 0,062W
 3604 4822 051 30102 1K00 5% 0,062W
 3605 4822 051 30102 1K00 5% 0,062W
 3606 4822 051 30008 0R00 JUMPER
 3607 4822 051 30472 4K70 5% 0,062W
 3609 4822 051 30008 0R00 JUMPER
 3610 4822 051 30472 4K70 5% 0,062W
 3611 4822 051 30008 0R00 JUMPER
 3612 4822 051 30008 0R00 JUMPER
 3613 4822 051 30339 33R00 5% 0,062W
 3614 4822 051 30333 33K00 5% 0,062W
 3615 4822 051 30339 33R00 5% 0,062W
 3616 4822 051 30008 0R00 JUMPER
 3617 4822 050 24708 4R70 1% 0,6W
 3618 4822 051 30109 10R00 5% 0,062W
 3619 4822 117 13608 4,7R 5% 0603 0,0016W
 3621 4822 051 30103 10K00 5% 0,062W
 3622 4822 051 30332 3K30 5% 0,062W
 3623 4822 051 30183 18K00 5% 0,062W
 3627 4822 051 30008 0R00 JUMPER
 3629 4822 051 30103 10K00 5% 0,062W
 3630 4822 051 30683 68K00 5% 0,062W
 3632 4822 051 30008 0R00 JUMPER
 3633 4822 051 30759 75R00 5% 0,062W
 3634 4822 051 30008 0R00 JUMPER
 3635 4822 051 30339 33R00 5% 0,062W
 3637 4822 051 30008 0R00 JUMPER
 3639 4822 051 30008 0R00 JUMPER
 3640 4822 051 30479 47R00 5% 0,062W
 3641 4822 051 30479 47R00 5% 0,062W
 3642 4822 051 30479 47R00 5% 0,062W
 3643 4822 051 30472 4K70 5% 0,062W
 3644 4822 051 30472 4K70 5% 0,062W
 3645 4822 051 30479 47R00 5% 0,062W

3646 4822 051 30479 47R00 5% 0,062W
 3647 4822 051 30479 47R00 5% 0,062W
 3648 4822 051 30479 47R00 5% 0,062W
 3649 4822 051 30151 150R00 5% 0,062W
 3650 4822 051 30151 150R00 5% 0,062W
 3651 4822 051 30479 47R00 5% 0,062W
 3652 4822 051 30339 33R00 5% 0,062W
 3653 4822 051 30339 33R00 5% 0,062W
 3654 4822 051 30339 33R00 5% 0,062W
 3655 4822 051 30339 33R00 5% 0,062W
 3656 4822 051 30339 33R00 5% 0,062W
 3657 5322 117 13062 390R 1% 0.063W 0603 RC22H
 3658 4822 051 30339 33R00 5% 0,062W
 3659 4822 051 30339 33R00 5% 0,062W
 3660 4822 051 30681 680R00 5% 0,062W
 3661 4822 051 30339 33R00 5% 0,062W
 3662 4822 051 30339 33R00 5% 0,062W
 3663 4822 051 30339 33R00 5% 0,062W
 3664 4822 051 30339 33R00 5% 0,062W
 3665 4822 051 30339 33R00 5% 0,062W
 3666 4822 051 30339 33R00 5% 0,062W
 3667 4822 051 30339 33R00 5% 0,062W
 3668 4822 051 30339 33R00 5% 0,062W
 3669 4822 051 30339 33R00 5% 0,062W
 3670 4822 051 30339 33R00 5% 0,062W
 3671 4822 051 30339 33R00 5% 0,062W
 3672 4822 051 30339 33R00 5% 0,062W
 3675 4822 051 30105 1M00 5% 0,062W
 3676 4822 051 30008 0R00 JUMPER
 3678 4822 051 30008 0R00 JUMPER
 3679 4822 051 30339 33R00 5% 0,062W
 3680 4822 051 30339 33R00 5% 0,062W
 3682 4822 051 30339 33R00 5% 0,062W
 3683 4822 051 30339 33R00 5% 0,062W
 3684 4822 051 30339 33R00 5% 0,062W
 3687 4822 051 30109 10R00 5% 0,062W
 3690 4822 051 30008 0R00 JUMPER
 3692 4822 051 30151 150R00 5% 0,062W
 3694 4822 051 30008 0R00 JUMPER
 3696 4822 051 30102 1K00 5% 0,062W
 3697 4822 051 30102 1K00 5% 0,062W
 3698 4822 051 30102 1K00 5% 0,062W
 3699 4822 051 30102 1K00 5% 0,062W
 3700 4822 051 30109 10R00 5% 0,062W
 3701 4822 051 30109 10R00 5% 0,062W

3703 4822 051 30332 3K30 5% 0,062W
 3705 4822 051 30759 75R00 5% 0,062W
 3706 4822 051 30183 18K00 5% 0,062W
 3707 4822 051 30759 75R00 5% 0,062W
 3708 5322 117 13042 3K9 1% 0.063W 0603 RC22H
 3709 4822 051 30121 120R00 5% 0,062W
 3710 4822 051 30759 75R00 5% 0,062W
 3711 4822 051 30759 75R00 5% 0,062W
 3726 5322 117 13049 470R 1% 0.063W 0603 RC22H
 3729 4822 051 30561 560R00 5% 0,062W
 3730 4822 051 30561 560R00 5% 0,062W
 3732 4822 117 13632 100K 1% 0603 0.62W
 3733 4822 117 13632 100K 1% 0603 0.62W
 3735 5322 117 13049 470R 1% 0.063W 0603 RC22H
 3738 5322 117 13053 6K8 1% 0.063W 0603 RC22H
 3739 3198 021 31060 RST SM 0603 10M PM5COL R
 3740 4822 051 30222 2K20 5% 0,062W
 3741 4822 117 12925 47K 1% 0.063W 0603
 3742 4822 051 30331 330R00 5% 0,062W
 3743 4822 051 30102 1K00 5% 0,062W
 3744 4822 051 30102 1K00 5% 0,062W
 3746 4822 117 12891 220K 1% ERJ3E
 3747 5322 117 13049 470R 1% 0.063W 0603 RC22H
 3749 4822 051 30331 330R00 5% 0,062W
 3750 2322 702 60919 RST SM 0603 RC21 91R PM5 R
 3752 4822 051 30102 1K00 5% 0,062W
 3753 4822 051 30102 1K00 5% 0,062W
 3754 4822 051 30103 10K00 5% 0,062W
 3755 4822 117 12891 220K 1% ERJ3E
 3755 5322 117 13049 470R 1% 0.063W 0603 RC22H
 3757 4822 051 30689 68R 5% 0,063W 0603 RC21 RST SM
 3759 4822 051 30479 47R00 5% 0,062W
 3760 4822 051 30339 33R00 5% 0,062W
 3765 4822 051 30105 1M00 5% 0,062W
 3766 4822 117 13498 2R2 5% 0,62W 0603
 3767 4822 051 30102 1K00 5% 0,062W
 3769 4822 051 30008 0R00 JUMPER
 3771 4822 051 30008 0R00 JUMPER
 3772 4822 051 30101 100R00 5% 0,062W
 3773 4822 051 30101 100R00 5% 0,062W
 3774 4822 051 30102 1K00 5% 0,062W
 3775 4822 051 30102 1K00 5% 0,062W
 3776 4822 051 30101 100R00 5% 0,062W
 3778 4822 051 30109 10R00 5% 0,062W
 3780 4822 051 30103 10K00 5% 0,062W

8. Spare parts list DVD616K/031

3782	4822 051 30339	33R00	5%	0,062W
3792	4822 051 30339	33R00	5%	0,062W
3795	4822 051 30339	33R00	5%	0,062W
3796	2120 108 94042	RST NETW SM RAC16 4X22R PM5	R	
3797	2120 108 94042	RST NETW SM RAC16 4X22R PM5	R	
3798	2120 108 94042	RST NETW SM RAC16 4X22R PM5	R	
3799	2120 108 94042	RST NETW SM RAC16 4X22R PM5	R	

COILS & CRYSTAL QUARTZ

5602	4822 157 53302	1UH		
5604	4822 157 53302	1UH		
5605	4822 157 11868	2.7UH 5%		
5606	2422 535 94163	IND FXD LAL02 A 1U8 PM5	T	
5607	4822 157 11868	2.7UH 5%		
5608	4822 157 11868	2.7UH 5%		
5609	4822 157 11868	2.7UH 5%		
5704	3141 018 20410	IND SMD BEAD EMI A 4S2		
5705	3141 018 20410	IND SMD BEAD EMI A 4S2		
5707	3141 018 80600	CRYSTAL QUARTZ 27M FUNDAMENTAL		
5710	8241 010 40420	LEADED FERRITE BEADS		
5711	8241 010 40420	LEADED FERRITE BEADS		

DIODES

6601	4822 130 30621	1N4148		
6602	4822 130 30621	1N4148		
6603	4822 130 30621	1N4148		
6604	4822 130 30621	1N4148		
6605	4822 130 30621	1N4148		
6607	4822 130 30621	1N4148		
6608	4822 130 30621	1N4148		
6612	4822 130 30621	1N4148		
6613	4822 130 30621	1N4148		
6614	4822 130 30621	1N4148		
6615	4822 130 30621	1N4148		
6616	4822 130 30621	1N4148		
6617	4822 130 30621	1N4148		
6618	4822 130 30621	1N4148		
6619	4822 130 30621	1N4148		
6620	4822 130 30621	1N4148		
6623	4822 130 30621	1N4148		
6630	3141 018 51150	DIO REC HER203		

TRANSISTORS & INTEGRATED CIRCUITS

7601	3141 018 51080	IC SM ES4428		
------	----------------	--------------	--	--

7603	5322 209 11517	PC74HCU04T		
7605	3141 017 40380	IC M29F400BT PROG DVD616K/031		
7607	3141 018 51120	IC SM V6300		
7609	3141 018 51050	IC SM CS4340		
7612	3141 018 51320	IC SM CS5333		
7613	3141 018 51100	IC SM CS4955		
7620	4822 130 10845	GP1F32T		
7621	8241 010 45120	IC SMD NJM4560		
7624	5322 209 11517	PC74HCU04T		
7626	3141 018 51280	IC SM 48LC4M16A2 (MICRON)		
7702	3141 018 51290	IC REGULATOR LD1117V (ST)		
7723	8241 010 05161	TRA TBC548C		
7726	8241 010 05161	TRA TBC548C		
7729	4822 130 42231	BC557C		
7730	4822 130 42231	BC557C		
7731	8241 010 05161	TRA TBC548C		
7733	4822 130 42231	BC557C		
7734	8241 010 05161	TRA TBC548C		

FRONT BOARD 3141 018 02550

MISCELLANEOUS

1400	3141 010 50220	VFD 20-0704N (ZEC)		
1402	2422 025 04858	CON BM V 9P F 2.50 DIPMATE	B	
1403	4822 265 30735	5 PINS		
1404	2422 025 04858	CON BM V 9P F 2.50 DIPMATE	B	
1405	2422 025 04849	CON BMT 2P		
1411	4822 276 13114	SWITCH, PUSH BUTTON		
1412	4822 276 13114	SWITCH, PUSH BUTTON		
1413	4822 276 13114	SWITCH, PUSH BUTTON		
1418	2422 128 02939	SWI PUSH 2P 100MA 30V SPEC12	B	
8401	3141 010 21030	CWAS 09PH/09OP 140 9	WH 26S	
8403	3141 010 21110	CWAS 09EH/09OP 340 9	WH 26S	
8404	3141 010 21050	CWAS 05XH/05OP 330 5	WH 26S	
8405	3141 010 21130	CWAS 02XH/02OP 140 2	WH 26S	
8406	3141 010 20250	CWAS 01 SPA/01 OP 110 BK 24F	T	

CAPACITORS

2401	4822 126 12339	2,2NF10% Y5R		
2402	2020 561 90365	CER2 TUB Y5V 50V 100N P8020	A	
2403	4822 124 40433	47UF20% 25V		
2404	2020 561 90365	CER2 TUB Y5V 50V 100N P8020	A	
2405	2020 561 90365	CER2 TUB Y5V 50V 100N P8020	A	
2406	4822 124 40433	47UF20% 25V		

2407	2020 561 90365	CER2 TUB Y5V 50V 100N P8020	A	
------	----------------	-----------------------------	---	--

RESISTORS

3401	4822 116 52291	56K	5%	0,5W
3402	4822 050 21003	10K00	1%	0,6W
3403	4822 050 21003	10K00	1%	0,6W
3404	4822 050 21003	10K00	1%	0,6W
3405	4822 050 21002	1K00	1%	0,6W
3406	4822 050 21003	10K00	1%	0,6W
3407	4822 116 52195	47E	5%	0,5W
3409	4822 116 52283	4K7	5%	0,5W
3410	4822 116 52283	4K7	5%	0,5W
3411	4822 116 52283	4K7	5%	0,5W
3412	4822 116 83884	47K	5%	0,5W
3413	4822 116 52228	680E	5%	0,5W
△ 3414	4822 052 10478	4R70	5%	0,33W
3415	4822 116 52175	100E	5%	0,5W
3416	4822 116 52175	100E	5%	0,5W
3417	4822 116 52175	100E	5%	0,5W
3418	4822 116 52176	10E	5%	0,5W
3420	3141 010 60220	POTM CAR LOG 10K V RK09D113	B	
3421	3141 010 60220	POTM CAR LOG 10K V RK09D113	B	

DIODES

6400	4822 130 30621	1N4148		
6402	4822 130 31253	BZX79-C2V4		
6403	4822 130 34398	BZX79-B24		

TRANSISTORS & INTEGRATED CIRCUITS

7400	8241 010 40440	IC PT6312 QFP44		
7401	8241 010 45320	HEG836-16GP		

MIC BOARD 3141 018 02560

MISCELLANEOUS

1200	2422 025 06354	CON BM H 09P M 2.50	EH B	
1201	3141 010 30280	SOC MPHONE H 1P F 6.3	SIL B	
1202	3141 010 30280	SOC MPHONE H 1P F 6.3	SIL B	

CAPACITORS

2201	2020 552 94427	CER1 0603 NP0 50V 100P PM5	R	
2202	2020 552 94427	CER1 0603 NP0 50V 100P PM5	R	
2203	2238 246 59858	CER2 0603 Y5V 10V 470N P8020	R	

8. Spare parts list DVD616K/031

2204	2238 246 59858	CER2 0603 Y5V 10V 470N P8020 R
2205	4822 126 11785	CER1 0603 NP0 50V 47P PM5
2206	4822 124 23053	1UF20% 63V
2207	4822 124 41584	100UF 20% 10V
2208	2020 552 94427	CER1 0603 NP0 50V 100P PM5 R
2209	4822 124 23053	1UF20% 63V
2210	4822 126 11785	CER1 0603 NP0 50V 47P PM5
2211	2238 586 15623	CER2 0603 X7R 50V 1N PM10 R
2212	2238 586 15623	CER2 0603 X7R 50V 1N PM10 R
2214	4822 124 11947	10UF 20% 16V
2215	4822 124 11947	10UF 20% 16V
2216	2020 552 94427	CER1 0603 NP0 50V 100P PM5 R
2217	2020 552 94427	CER1 0603 NP0 50V 100P PM5 R
2218	2238 246 59858	CER2 0603 Y5V 10V 470N P8020 R
2219	2238 246 59858	CER2 0603 Y5V 10V 470N P8020 R
2220	4822 126 11785	CER1 0603 NP0 50V 47P PM5
2221	4822 124 41584	100UF 20% 10V
2222	4822 124 23053	1UF20% 63V
2223	2020 552 94427	CER1 0603 NP0 50V 100P PM5 R
2224	4822 124 23053	1UF20% 63V
2225	4822 126 11785	CER1 0603 NP0 50V 47P PM5

RESISTORS

3201	4822 117 11817	1K2 1% 1/16W
3202	4822 051 30222	2K20 5% 0,062W
3203	4822 051 30101	100R00 5% 0,062W
3204	4822 051 30563	56K00 5% 0,062W
3205	4822 051 30102	1K00 5% 0,062W
3206	4822 117 12902	8K2 1% 0.063W 0603
3207	4822 051 30472	4K70 5% 0,062W
3208	5322 117 13053	6K8 1% 0.063W 0603 RC22H
3209	4822 051 30102	1K00 5% 0,062W
3212	4822 117 13608	4,7R 5% 0603 0,0016W
3213	4822 117 13608	4,7R 5% 0603 0,0016W
3214	4822 117 13608	4,7R 5% 0603 0,0016W
3215	4822 117 13608	4,7R 5% 0603 0,0016W
3216	4822 117 11817	1K2 1% 1/16W
3217	4822 051 30222	2K20 5% 0,062W
3218	4822 051 30101	100R00 5% 0,062W
3219	4822 051 30102	1K00 5% 0,062W
3220	4822 117 12902	8K2 1% 0.063W 0603
3221	4822 051 30563	56K00 5% 0,062W
3222	4822 051 30472	4K70 5% 0,062W
3223	5322 117 13053	6K8 1% 0.063W 0603 RC22H

3224	4822 051 30102	1K00 5% 0,062W
4201	4822 051 30008	0R00 JUMPER
4202	4822 051 30008	0R00 JUMPER
4203	4822 051 30008	0R00 JUMPER
4204	4822 051 30008	0R00 JUMPER

COILS & CRYSTAL QUARTZ

5200	4822 157 11235	22UH LANO2TB220J PM5 A
5201	4822 157 11235	22UH LANO2TB220J PM5 A

DIODES

6201	4822 130 30621	1N4148
6202	4822 130 30621	1N4148

TRANSISTORS & INTEGRATED CIRCUITS

7201	8241 010 45120	IC SMD NJM4560
7202	8241 010 45120	IC SMD NJM4560
7203	5322 130 60159	BC846B
7204	5322 130 60159	BC846B

9. Spare parts list DVD616K/691

Mechanical

0200	3141 017 76140	CAB FRONT DVD616K/691 PNT PRT
0201	3141 014 24720	BRACKET
0204	3141 017 76220	WINDOW DVD616K
0205	3141 017 75590	BUTTON POWER DVD616K PNT PRT
0208	3141 017 75580	VOLUME KNOB DVD616K PNT
0219	3141 017 75600	DOOR DVD616K PRT
0240	3141 017 75570	BUTTON CONTROL DVD616K PNT PRT
0249	3139 243 10080	CUSHION FOOT
0260	4822 532 60948	BUSH, PLASTIC
0384	3141 017 90161	REMOTE CONTROL
1001	3141 018 02930	PBAS PSU 90PS-132 WR BILLION
1002	3141 018 02780	PBAS MPEG DVD616K/691
1003	3141 018 02660	DVD LOADER MODULE A95H
1004	3141 018 02550	PBAS FRONT DVD616K/931
1005	3141 018 02560	PBAS MIC DVD616K/931
△ 5001	3141 018 71300	MAIN CORD M7.92VH 1.60M
8001	3141 010 21160	CWAS 40RK/40RK 300 40 28S
8002	3141 010 21140	CWAS 08XH/08XH 350 8 WH 26S
8003	3141 010 21150	CWAS 04XH/04LC 300 22S

MPEG BOARD 3141 018 02780

MISCELLANEOUS

1601	2422 025 09074	CONNECTOR 8P TOP
1604	3141 010 30250	CON S-VIDEO AND CVBS
1605	3141 010 30310	CON BM CINCH V 3P F WHRDBK B
1607	3141 010 30300	CON BM CINCH V 3P F GNBURD
1608	2422 025 10769	CON BMT 9P VERT PH-B
1609	3141 010 30350	CON BM V 40P M 2.54 1-440094-2

CAPACITORS

2601	2020 552 94427	CER1 0603 NP0 50V 100P PM5 R
2602	2020 552 94427	CER1 0603 NP0 50V 100P PM5 R
2603	2020 552 94427	CER1 0603 NP0 50V 100P PM5 R
2604	2020 552 94427	CER1 0603 NP0 50V 100P PM5 R
2605	2020 552 94427	CER1 0603 NP0 50V 100P PM5 R
2606	2020 552 94427	CER1 0603 NP0 50V 100P PM5 R
2608	2222 586 18812	CER2 0603 X7R 50V 100N PM10 R
2609	2222 586 18812	CER2 0603 X7R 50V 100N PM10 R
2610	9965 000 05913	22PF +-2% 50V
2611	4822 124 40196	220UF20% 16V
2612	4822 124 11947	10UF 20% 16V
2613	2222 586 18812	CER2 0603 X7R 50V 100N PM10 R

2614	4822 124 40207	100UF20% 25V
2615	4822 124 40207	100UF20% 25V
2616	2222 586 18812	CER2 0603 X7R 50V 100N PM10 R
2617	2222 586 18812	CER2 0603 X7R 50V 100N PM10 R
2618	2222 586 18812	CER2 0603 X7R 50V 100N PM10 R
2619	2222 586 18812	CER2 0603 X7R 50V 100N PM10 R
2620	2222 586 18812	CER2 0603 X7R 50V 100N PM10 R
2621	2222 586 18812	CER2 0603 X7R 50V 100N PM10 R
2622	2222 586 18812	CER2 0603 X7R 50V 100N PM10 R
2623	2020 552 94427	CER1 0603 NP0 50V 100P PM5 R
2624	4822 124 81021	100UF20% 16V
2625	2222 586 18812	CER2 0603 X7R 50V 100N PM10 R
2626	2222 586 18812	CER2 0603 X7R 50V 100N PM10 R
2627	2222 586 18812	CER2 0603 X7R 50V 100N PM10 R
2628	9965 000 05913	22PF +-2% 50V
2629	2222 586 18812	CER2 0603 X7R 50V 100N PM10 R
2632	4822 124 81021	100UF20% 16V
2633	4822 124 11947	10UF 20% 16V
2634	4822 124 81021	100UF20% 16V
2635	4822 124 81021	100UF20% 16V
2636	2222 586 18812	CER2 0603 X7R 50V 100N PM10 R
2637	2222 586 18812	CER2 0603 X7R 50V 100N PM10 R
2639	2222 586 18812	CER2 0603 X7R 50V 100N PM10 R
2640	2222 586 18812	CER2 0603 X7R 50V 100N PM10 R
2641	2222 586 18812	CER2 0603 X7R 50V 100N PM10 R
2642	2222 586 18812	CER2 0603 X7R 50V 100N PM10 R
2643	2222 586 18812	CER2 0603 X7R 50V 100N PM10 R
2645	2020 552 94427	CER1 0603 NP0 50V 100P PM5 R
2646	2020 552 94427	CER1 0603 NP0 50V 100P PM5 R
2649	2222 586 18812	CER2 0603 X7R 50V 100N PM10 R
2651	2222 586 18812	CER2 0603 X7R 50V 100N PM10 R
2652	2222 586 18812	CER2 0603 X7R 50V 100N PM10 R
2655	4822 124 81021	100UF20% 16V
2656	4822 124 11947	10UF 20% 16V
2657	4822 124 11947	10UF 20% 16V
2658	4822 124 11947	10UF 20% 16V
2663	2020 552 94427	CER1 0603 NP0 50V 100P PM5 R
2667	4822 124 11947	10UF 20% 16V
2668	2222 586 18812	CER2 0603 X7R 50V 100N PM10 R
2669	2222 586 18812	CER2 0603 X7R 50V 100N PM10 R
2670	2222 586 18812	CER2 0603 X7R 50V 100N PM10 R
2672	2222 586 18812	CER2 0603 X7R 50V 100N PM10 R
2673	4822 124 21913	1UF20% 63V
2674	4822 124 21913	1UF20% 63V
2675	2222 586 18812	CER2 0603 X7R 50V 100N PM10 R

2683	4822 124 21913	1UF20% 63V
2684	4822 124 21913	1UF20% 63V
2685	2238 586 19812	CER2 0603 Y5V 50V 100N P8020 R
2688	9965 000 05913	22PF +-2% 50V
2692	2222 586 18812	CER2 0603 X7R 50V 100N PM10 R
2693	4822 124 11947	10UF 20% 16V
2695	4822 124 40196	220UF20% 16V
2696	2222 586 18812	CER2 0603 X7R 50V 100N PM10 R
2697	2222 586 18812	CER2 0603 X7R 50V 100N PM10 R
2698	2222 586 18812	CER2 0603 X7R 50V 100N PM10 R
2699	2222 586 18812	CER2 0603 X7R 50V 100N PM10 R
2711	4822 124 11947	10UF 20% 16V
2712	4822 124 11947	10UF 20% 16V
2714	9965 000 05913	22PF +-2% 50V
2715	9965 000 05913	22PF +-2% 50V
2717	4822 124 23624	47UF20% 16V
2719	2222 586 18812	CER2 0603 X7R 50V 100N PM10 R
2721	2222 586 18812	CER2 0603 X7R 50V 100N PM10 R
2725	2222 586 18812	CER2 0603 X7R 50V 100N PM10 R
2728	4822 124 40248	10UF20% 63V
2732	2222 586 18812	CER2 0603 X7R 50V 100N PM10 R
2734	4822 124 40248	10UF20% 63V
2738	4822 122 33752	15PF 5%NP0 50V
2740	2020 552 94427	CER1 0603 NP0 50V 100P PM5 R
2741	9965 000 05913	22PF +-2% 50V
2742	4822 126 13881	470PF 5% 50V
2743	2222 586 18812	CER2 0603 X7R 50V 100N PM10 R
2745	2222 586 18812	CER2 0603 X7R 50V 100N PM10 R
2746	2222 586 18812	CER2 0603 X7R 50V 100N PM10 R
2747	2222 586 18812	CER2 0603 X7R 50V 100N PM10 R
2748	9965 000 05913	22PF +-2% 50V
2749	4822 124 81021	100UF20% 16V
2765	2222 586 18812	CER2 0603 X7R 50V 100N PM10 R
2766	4822 124 81021	100UF20% 16V
2767	2222 586 18812	CER2 0603 X7R 50V 100N PM10 R
2768	2020 552 94427	CER1 0603 NP0 50V 100P PM5 R
2774	2222 586 18812	CER2 0603 X7R 50V 100N PM10 R
2775	4822 124 11947	10UF 20% 16V
2776	4822 124 81021	100UF20% 16V
2778	2020 552 94427	CER1 0603 NP0 50V 100P PM5 R
2779	2020 552 94427	CER1 0603 NP0 50V 100P PM5 R
2780	2020 552 94427	CER1 0603 NP0 50V 100P PM5 R
2781	4822 126 14506	270PF 5% 50V 0603 NP0
2782	3198 016 36810	CER1 0603 NP0 25V 680P COL R
2783	4822 126 14506	270PF 5% 50V 0603 NP0

9. Spare parts list DVD616K/691

2785	4822 122 33753	150PF 5%NP0 50V	3646	4822 051 30479	47R00 5% 0,062W	3703	4822 051 30332	3K30 5% 0,062W
2786	4822 124 11947	10UF 20% 16V	3647	4822 051 30479	47R00 5% 0,062W	3705	4822 051 30759	75R00 5% 0,062W
2787	4822 122 33753	150PF 5%NP0 50V	3648	4822 051 30479	47R00 5% 0,062W	3706	4822 051 30183	18K00 5% 0,062W
2788	4822 124 11947	10UF 20% 16V	3649	4822 051 30151	150R00 5% 0,062W	3707	4822 051 30759	75R00 5% 0,062W
2789	5322 126 11578	1NF 10% X7R 50V 0603	3650	4822 051 30151	150R00 5% 0,062W	3708	5322 117 13042	3K9 1% 0.063W 0603 RC22H
2790	5322 126 11578	1NF 10% X7R 50V 0603	3651	4822 051 30479	47R00 5% 0,062W	3709	4822 051 30121	120R00 5% 0,062W
RESISTORS			3652	4822 051 30339	33R00 5% 0,062W	3710	4822 051 30759	75R00 5% 0,062W
3601	4822 051 30472	4K70 5% 0,062W	3653	4822 051 30339	33R00 5% 0,062W	3711	4822 051 30759	75R00 5% 0,062W
3602	4822 050 22209	22R00 1% 0,6W	3654	4822 051 30339	33R00 5% 0,062W	3726	5322 117 13049	470R 1% 0.063W 0603 RC22H
3603	4822 051 30472	4K70 5% 0,062W	3655	4822 051 30339	33R00 5% 0,062W	3729	4822 051 30561	560R00 5% 0,062W
3604	4822 051 30102	1K00 5% 0,062W	3656	4822 051 30339	33R00 5% 0,062W	3730	4822 051 30561	560R00 5% 0,062W
3605	4822 051 30102	1K00 5% 0,062W	3657	5322 117 13062	390R 1% 0.063W 0603 RC22H	3732	4822 117 13632	100K 1% 0603 0.62W
3606	4822 051 30008	0R00 JUMPER	3658	4822 051 30339	33R00 5% 0,062W	3733	4822 117 13632	100K 1% 0603 0.62W
3607	4822 051 30472	4K70 5% 0,062W	3659	4822 051 30339	33R00 5% 0,062W	3735	5322 117 13049	470R 1% 0.063W 0603 RC22H
3609	4822 051 30008	0R00 JUMPER	3660	4822 051 30681	680R00 5% 0,062W	3738	5322 117 13053	6K8 1% 0.063W 0603 RC22H
3610	4822 051 30472	4K70 5% 0,062W	3661	4822 051 30339	33R00 5% 0,062W	3739	3198 021 31060	RST SM 0603 10M PM5COL R
3611	4822 051 30008	0R00 JUMPER	3662	4822 051 30339	33R00 5% 0,062W	3740	4822 051 30222	2K20 5% 0,062W
3612	4822 051 30008	0R00 JUMPER	3663	4822 051 30339	33R00 5% 0,062W	3741	4822 117 12925	47K 1% 0.063W 0603
3613	4822 051 30339	33R00 5% 0,062W	3664	4822 051 30339	33R00 5% 0,062W	3742	4822 051 30331	330R00 5% 0,062W
3614	4822 051 30333	33K00 5% 0,062W	3665	4822 051 30339	33R00 5% 0,062W	3743	4822 051 30102	1K00 5% 0,062W
3615	4822 051 30339	33R00 5% 0,062W	3666	4822 051 30339	33R00 5% 0,062W	3744	4822 051 30102	1K00 5% 0,062W
3616	4822 051 30008	0R00 JUMPER	3667	4822 051 30339	33R00 5% 0,062W	3746	4822 117 12891	220K 1% ERJ3E
3617	4822 050 24708	4R70 1% 0,6W	3668	4822 051 30339	33R00 5% 0,062W	3747	5322 117 13049	470R 1% 0.063W 0603 RC22H
3618	4822 051 30109	10R00 5% 0,062W	3669	4822 051 30339	33R00 5% 0,062W	3749	4822 051 30331	330R00 5% 0,062W
3619	4822 117 13608	4,7R 5% 0603 0,0016W	3670	4822 051 30339	33R00 5% 0,062W	3750	2322 702 60919	RST SM 0603 RC21 91R PM5 R
3621	4822 051 30103	10K00 5% 0,062W	3671	4822 051 30339	33R00 5% 0,062W	3752	4822 051 30102	1K00 5% 0,062W
3622	4822 051 30332	3K30 5% 0,062W	3672	4822 051 30339	33R00 5% 0,062W	3753	4822 051 30102	1K00 5% 0,062W
3623	4822 051 30183	18K00 5% 0,062W	3675	4822 051 30105	1M00 5% 0,062W	3754	4822 051 30103	10K00 5% 0,062W
3627	4822 051 30008	0R00 JUMPER	3676	4822 051 30008	0R00 JUMPER	3755	4822 117 12891	220K 1% ERJ3E
3629	4822 051 30103	10K00 5% 0,062W	3678	4822 051 30008	0R00 JUMPER	3755	5322 117 13049	470R 1% 0.063W 0603 RC22H
3630	4822 051 30683	68K00 5% 0,062W	3679	4822 051 30339	33R00 5% 0,062W	3757	4822 051 30689	68R 5% 0,063W 0603 RC21 RST SM
3632	4822 051 30008	0R00 JUMPER	3680	4822 051 30339	33R00 5% 0,062W	3759	4822 051 30479	47R00 5% 0,062W
3633	4822 051 30759	75R00 5% 0,062W	3682	4822 051 30339	33R00 5% 0,062W	3760	4822 051 30339	33R00 5% 0,062W
3634	4822 051 30008	0R00 JUMPER	3683	4822 051 30339	33R00 5% 0,062W	3765	4822 051 30105	1M00 5% 0,062W
3635	4822 051 30339	33R00 5% 0,062W	3684	4822 051 30339	33R00 5% 0,062W	3766	4822 117 13498	2R2 5% 0,62W 0603
3637	4822 051 30008	0R00 JUMPER	3687	4822 051 30109	10R00 5% 0,062W	3767	4822 051 30102	1K00 5% 0,062W
3639	4822 051 30008	0R00 JUMPER	3690	4822 051 30008	0R00 JUMPER	3769	4822 051 30008	0R00 JUMPER
3640	4822 051 30479	47R00 5% 0,062W	3692	4822 051 30151	150R00 5% 0,062W	3771	4822 051 30008	0R00 JUMPER
3641	4822 051 30479	47R00 5% 0,062W	3694	4822 051 30008	0R00 JUMPER	3772	4822 051 30101	100R00 5% 0,062W
3642	4822 051 30479	47R00 5% 0,062W	3696	4822 051 30102	1K00 5% 0,062W	3773	4822 051 30101	100R00 5% 0,062W
3643	4822 051 30472	4K70 5% 0,062W	3697	4822 051 30102	1K00 5% 0,062W	3774	4822 051 30102	1K00 5% 0,062W
3644	4822 051 30472	4K70 5% 0,062W	3698	4822 051 30102	1K00 5% 0,062W	3775	4822 051 30102	1K00 5% 0,062W
3645	4822 051 30479	47R00 5% 0,062W	3699	4822 051 30102	1K00 5% 0,062W	3776	4822 051 30101	100R00 5% 0,062W
			3700	4822 051 30109	10R00 5% 0,062W	3778	4822 051 30109	10R00 5% 0,062W
			3701	4822 051 30109	10R00 5% 0,062W	3780	4822 051 30103	10K00 5% 0,062W

9. Spare parts list DVD616K/691

3782	4822 051 30339	33R00	5%	0,062W
3792	4822 051 30339	33R00	5%	0,062W
3795	4822 051 30339	33R00	5%	0,062W
3796	2120 108 94042	RST NETW SM RAC16 4X22R PM5	R	
3797	2120 108 94042	RST NETW SM RAC16 4X22R PM5	R	
3798	2120 108 94042	RST NETW SM RAC16 4X22R PM5	R	
3799	2120 108 94042	RST NETW SM RAC16 4X22R PM5	R	

COILS & CRYSTAL QUARTZ

5602	4822 157 53302	1UH		
5604	4822 157 53302	1UH		
5605	4822 157 11868	2.7UH 5%		
5606	2422 535 94163	IND FXD LAL02 A 1U8 PM5	T	
5607	4822 157 11868	2.7UH 5%		
5608	4822 157 11868	2.7UH 5%		
5609	4822 157 11868	2.7UH 5%		
5704	3141 018 20410	IND SMD BEAD EMI A 4S2		
5705	3141 018 20410	IND SMD BEAD EMI A 4S2		
5707	3141 018 80600	CRYSTAL QUARTZ 27M FUNDAMENTAL		
5710	8241 010 40420	LEADED FERRITE BEADS		
5711	8241 010 40420	LEADED FERRITE BEADS		

DIODES

6601	4822 130 30621	1N4148		
6602	4822 130 30621	1N4148		
6603	4822 130 30621	1N4148		
6604	4822 130 30621	1N4148		
6605	4822 130 30621	1N4148		
6607	4822 130 30621	1N4148		
6608	4822 130 30621	1N4148		
6612	4822 130 30621	1N4148		
6613	4822 130 30621	1N4148		
6614	4822 130 30621	1N4148		
6615	4822 130 30621	1N4148		
6616	4822 130 30621	1N4148		
6617	4822 130 30621	1N4148		
6618	4822 130 30621	1N4148		
6619	4822 130 30621	1N4148		
6620	4822 130 30621	1N4148		
6623	4822 130 30621	1N4148		
6630	3141 018 51150	DIO REC HER203		

TRANSISTORS & INTEGRATED CIRCUITS

7601	3141 018 51080	IC SM ES4428		
------	----------------	--------------	--	--

7603	5322 209 11517	PC74HCU04T		
7605	3141 017 40350	IC M29F400BT PROG DVD616K/691		
7607	3141 018 51120	IC SM V6300		
7609	3141 018 51050	IC SM CS4340		
7612	3141 018 51320	IC SM CS5333		
7613	3141 018 51100	IC SM CS4955		
7620	4822 130 10845	GP1F32T		
7621	8241 010 45120	IC SMD NJM4560		
7624	5322 209 11517	PC74HCU04T		
7626	3141 018 51280	IC SM 48LC4M16A2 (MICRON)		
7702	3141 018 51290	IC REGULATOR LD1117V (ST)		
7723	8241 010 05161	TRA TBC548C		
7726	8241 010 05161	TRA TBC548C		
7729	4822 130 42231	BC557C		
7730	4822 130 42231	BC557C		
7731	8241 010 05161	TRA TBC548C		
7733	4822 130 42231	BC557C		
7734	8241 010 05161	TRA TBC548C		

FRONT BOARD 3141 018 02550

MISCELLANEOUS

1400	3141 010 50220	VFD 20-0704N (ZEC)		
1402	2422 025 04858	CON BM V 9P F 2.50 DIPMATE	B	
1403	4822 265 30735	5 PINS		
1404	2422 025 04858	CON BM V 9P F 2.50 DIPMATE	B	
1405	2422 025 04849	CON BMT 2P		
1411	4822 276 13114	SWITCH, PUSH BUTTON		
1412	4822 276 13114	SWITCH, PUSH BUTTON		
1413	4822 276 13114	SWITCH, PUSH BUTTON		
1418	2422 128 02939	SWI PUSH 2P 100MA 30V SPEC12	B	
8401	3141 010 21030	CWAS 09PH/09OP 140 9	WH 26S	
8403	3141 010 21110	CWAS 09EH/090P 340 9	WH 26S	
8404	3141 010 21050	CWAS 05XH/05OP 330 5	WH 26S	
8405	3141 010 21130	CWAS 02XH/02OP 140 2	WH 26S	
8406	3141 010 20250	CWAS 01 SPA/01 OP 110 BK 24F	TO	

CAPACITORS

2401	4822 126 12339	2,2NF10% Y5R		
2402	2020 561 90365	CER2 TUB Y5V 50V 100N P8020	A	
2403	4822 124 40433	47UF20% 25V		
2404	2020 561 90365	CER2 TUB Y5V 50V 100N P8020	A	
2405	2020 561 90365	CER2 TUB Y5V 50V 100N P8020	A	
2406	4822 124 40433	47UF20% 25V		
2407	2020 561 90365	CER2 TUB Y5V 50V 100N P8020	A	

RESISTORS

3401	4822 116 52291	56K	5%	0,5W
3402	4822 050 21003	10K00	1%	0,6W
3403	4822 050 21003	10K00	1%	0,6W
3404	4822 050 21003	10K00	1%	0,6W
3405	4822 050 21002	1K00	1%	0,6W
3406	4822 050 21003	10K00	1%	0,6W
3407	4822 116 52195	47E	5%	0,5W
3409	4822 116 52283	4K7	5%	0,5W
3410	4822 116 52283	4K7	5%	0,5W
3411	4822 116 52283	4K7	5%	0,5W
3412	4822 116 83884	47K	5%	0,5W
3413	4822 116 52228	680E	5%	0,5W
△ 3414	4822 052 10478	4R70	5%	0,33W
3415	4822 116 52175	100E	5%	0,5W
3416	4822 116 52175	100E	5%	0,5W
3417	4822 116 52175	100E	5%	0,5W
3418	4822 116 52176	10E	5%	0,5W
3420	3141 010 60220	POTM CAR LOG 10K V RK09D113	B	
3421	3141 010 60220	POTM CAR LOG 10K V RK09D113	B	

DIODES

6400	4822 130 30621	1N4148		
6402	4822 130 31253	BZX79-C2V4		
6403	4822 130 34398	BZX79-B24		

TRANSISTORS & INTEGRATED CIRCUITS

7400	8241 010 40440	IC PT6312 QFP44		
7401	8241 010 45320	HEG836-16GP		

MIC BOARD 3141 018 02560

MISCELLANEOUS

1200	2422 025 06354	CON BM H 09P M 2.50	EH B	
1201	3141 010 30280	SOC MPHONE H 1P F 6.3	SIL B	
1202	3141 010 30280	SOC MPHONE H 1P F 6.3	SIL B	

CAPACITORS

2201	2020 552 94427	CER1 0603 NP0 50V 100P PM5	R	
2202	2020 552 94427	CER1 0603 NP0 50V 100P PM5	R	
2203	2238 246 59858	CER2 0603 Y5V 10V 470N P8020	R	
2204	2238 246 59858	CER2 0603 Y5V 10V 470N P8020	R	

9. Spare parts list DVD616K/691

2205	4822 126 11785	CER1 0603 NP0 50V 47P PM5
2206	4822 124 23053	1UF20% 63V
2207	4822 124 41584	100UF 20% 10V
2208	2020 552 94427	CER1 0603 NP0 50V 100P PM5 R
2209	4822 124 23053	1UF20% 63V
2210	4822 126 11785	CER1 0603 NP0 50V 47P PM5
2211	2238 586 15623	CER2 0603 X7R 50V 1N PM10 R
2212	2238 586 15623	CER2 0603 X7R 50V 1N PM10 R
2214	4822 124 11947	10UF 20% 16V
2215	4822 124 11947	10UF 20% 16V
2216	2020 552 94427	CER1 0603 NP0 50V 100P PM5 R
2217	2020 552 94427	CER1 0603 NP0 50V 100P PM5 R
2218	2238 246 59858	CER2 0603 Y5V 10V 470N P8020 R
2219	2238 246 59858	CER2 0603 Y5V 10V 470N P8020 R
2220	4822 126 11785	CER1 0603 NP0 50V 47P PM5
2221	4822 124 41584	100UF 20% 10V
2222	4822 124 23053	1UF20% 63V
2223	2020 552 94427	CER1 0603 NP0 50V 100P PM5 R
2224	4822 124 23053	1UF20% 63V
2225	4822 126 11785	CER1 0603 NP0 50V 47P PM5

RESISTORS

3201	4822 117 11817	1K2 1% 1/16W
3202	4822 051 30222	2K20 5% 0,062W
3203	4822 051 30101	100R00 5% 0,062W
3204	4822 051 30563	56K00 5% 0,062W
3205	4822 051 30102	1K00 5% 0,062W
3206	4822 117 12902	8K2 1% 0.063W 0603
3207	4822 051 30472	4K70 5% 0,062W
3208	5322 117 13053	6K8 1% 0.063W 0603 RC22H
3209	4822 051 30102	1K00 5% 0,062W
3212	4822 117 13608	4,7R 5% 0603 0,0016W
3213	4822 117 13608	4,7R 5% 0603 0,0016W
3214	4822 117 13608	4,7R 5% 0603 0,0016W
3215	4822 117 13608	4,7R 5% 0603 0,0016W
3216	4822 117 11817	1K2 1% 1/16W
3217	4822 051 30222	2K20 5% 0,062W
3218	4822 051 30101	100R00 5% 0,062W
3219	4822 051 30102	1K00 5% 0,062W
3220	4822 117 12902	8K2 1% 0.063W 0603
3221	4822 051 30563	56K00 5% 0,062W
3222	4822 051 30472	4K70 5% 0,062W
3223	5322 117 13053	6K8 1% 0.063W 0603 RC22H
3224	4822 051 30102	1K00 5% 0,062W
4201	4822 051 30008	0R00 JUMPER

4202	4822 051 30008	0R00 JUMPER
4203	4822 051 30008	0R00 JUMPER
4204	4822 051 30008	0R00 JUMPER

COILS & CRYSTAL QUARTZ

5200	4822 157 11235	22UH LANO2TB220J PM5 A
5201	4822 157 11235	22UH LANO2TB220J PM5 A

DIODES

6201	4822 130 30621	1N4148
6202	4822 130 30621	1N4148

TRANSISTORS & INTEGRATED CIRCUITS

7201	8241 010 45120	IC SMD NJM4560
7202	8241 010 45120	IC SMD NJM4560
7203	5322 130 60159	BC846B
7204	5322 130 60159	BC846B

10. Spare parts list DVD616K/751

Mechanical

0200	3141 017 76140	CAB FRONT DVD616K/691 PNT PRT
0201	3141 014 24720	BRACKET
0204	3141 017 76220	WINDOW DVD616K
0205	3141 017 75590	BUTTON POWER DVD616K PNT PRT
0208	3141 017 75580	VOLUME KNOB DVD616K PNT
0219	3141 017 75600	DOOR DVD616K PRT
0240	3141 017 75570	BUTTON CONTROL DVD616K PNT PRT
0249	3139 243 10080	CUSHION FOOT
0260	4822 532 60948	BUSH, PLASTIC
0384	3141 017 90161	REMOTE CONTROL
1001	3141 018 02930	PBAS PSU 90PS-132 WR BILLION
1002	3141 018 02790	PBAS MPEG DVD616K/751
1003	3141 018 02660	DVD LOADER MODULE A95H
1004	3141 018 02550	PBAS FRONT DVD616K/931
1005	3141 018 02560	PBAS MIC DVD616K/931
△ 5001	3141 018 71270	A.C MAIN CORD M7.92VH
8001	3141 010 21160	CWAS 40RK/40RK 300 40 28S
8002	3141 010 21140	CWAS 08XH/08XH 350 8 WH 26S
8003	3141 010 21150	CWAS 04XH/04LC 300 22S

MPEG BOARD 3141 018 02790

MISCELLANEOUS

1601	2422 025 09074	CONNECTOR 8P TOP
1604	3141 010 30250	CON S-VIDEO AND CVBS
1605	3141 010 30310	CON BM CINCH V 3P F WHRDBK B
1607	3141 010 30300	CON BM CINCH V 3P F GNBURD
1608	2422 025 10769	CON BMT 9P VERT PH-B
1609	3141 010 30350	CON BM V 40P M 2.54 1-440094-2

CAPACITORS

2601	2020 552 94427	CER1 0603 NP0 50V 100P PM5 R
2602	2020 552 94427	CER1 0603 NP0 50V 100P PM5 R
2603	2020 552 94427	CER1 0603 NP0 50V 100P PM5 R
2604	2020 552 94427	CER1 0603 NP0 50V 100P PM5 R
2605	2020 552 94427	CER1 0603 NP0 50V 100P PM5 R
2606	2020 552 94427	CER1 0603 NP0 50V 100P PM5 R
2608	2222 586 18812	CER2 0603 X7R 50V 100N PM10 R
2609	2222 586 18812	CER2 0603 X7R 50V 100N PM10 R
2610	9965 000 05913	22PF +-2% 50V
2611	4822 124 40196	220UF20% 16V
2612	4822 124 11947	10UF 20% 16V

2613	2222 586 18812	CER2 0603 X7R 50V 100N PM10 R
2614	4822 124 40207	100UF20% 25V
2615	4822 124 40207	100UF20% 25V
2616	2222 586 18812	CER2 0603 X7R 50V 100N PM10 R
2617	2222 586 18812	CER2 0603 X7R 50V 100N PM10 R
2618	2222 586 18812	CER2 0603 X7R 50V 100N PM10 R
2619	2222 586 18812	CER2 0603 X7R 50V 100N PM10 R
2620	2222 586 18812	CER2 0603 X7R 50V 100N PM10 R
2621	2222 586 18812	CER2 0603 X7R 50V 100N PM10 R
2622	2222 586 18812	CER2 0603 X7R 50V 100N PM10 R
2623	2020 552 94427	CER1 0603 NP0 50V 100P PM5 R
2624	4822 124 81021	100UF20% 16V
2625	2222 586 18812	CER2 0603 X7R 50V 100N PM10 R
2626	2222 586 18812	CER2 0603 X7R 50V 100N PM10 R
2627	2222 586 18812	CER2 0603 X7R 50V 100N PM10 R
2628	9965 000 05913	22PF +-2% 50V
2629	2222 586 18812	CER2 0603 X7R 50V 100N PM10 R
2632	4822 124 81021	100UF20% 16V
2633	4822 124 11947	10UF 20% 16V
2634	4822 124 81021	100UF20% 16V
2635	4822 124 81021	100UF20% 16V
2636	2222 586 18812	CER2 0603 X7R 50V 100N PM10 R
2637	2222 586 18812	CER2 0603 X7R 50V 100N PM10 R
2639	2222 586 18812	CER2 0603 X7R 50V 100N PM10 R
2640	2222 586 18812	CER2 0603 X7R 50V 100N PM10 R
2641	2222 586 18812	CER2 0603 X7R 50V 100N PM10 R
2642	2222 586 18812	CER2 0603 X7R 50V 100N PM10 R
2643	2222 586 18812	CER2 0603 X7R 50V 100N PM10 R
2645	2020 552 94427	CER1 0603 NP0 50V 100P PM5 R
2646	2020 552 94427	CER1 0603 NP0 50V 100P PM5 R
2649	2222 586 18812	CER2 0603 X7R 50V 100N PM10 R
2651	2222 586 18812	CER2 0603 X7R 50V 100N PM10 R
2652	2222 586 18812	CER2 0603 X7R 50V 100N PM10 R
2655	4822 124 81021	100UF20% 16V
2656	4822 124 11947	10UF 20% 16V
2657	4822 124 11947	10UF 20% 16V
2658	4822 124 11947	10UF 20% 16V
2663	2020 552 94427	CER1 0603 NP0 50V 100P PM5 R
2667	4822 124 11947	10UF 20% 16V
2668	2222 586 18812	CER2 0603 X7R 50V 100N PM10 R
2669	2222 586 18812	CER2 0603 X7R 50V 100N PM10 R
2670	2222 586 18812	CER2 0603 X7R 50V 100N PM10 R
2672	2222 586 18812	CER2 0603 X7R 50V 100N PM10 R
2673	4822 124 21913	1UF20% 63V
2674	4822 124 21913	1UF20% 63V

2675	2222 586 18812	CER2 0603 X7R 50V 100N PM10 R
2683	4822 124 21913	1UF20% 63V
2684	4822 124 21913	1UF20% 63V
2685	2238 586 19812	CER2 0603 Y5V 50V 100N P8020 R
2688	9965 000 05913	22PF +-2% 50V
2692	2222 586 18812	CER2 0603 X7R 50V 100N PM10 R
2693	4822 124 11947	10UF 20% 16V
2695	4822 124 40196	220UF20% 16V
2696	2222 586 18812	CER2 0603 X7R 50V 100N PM10 R
2697	2222 586 18812	CER2 0603 X7R 50V 100N PM10 R
2698	2222 586 18812	CER2 0603 X7R 50V 100N PM10 R
2699	2222 586 18812	CER2 0603 X7R 50V 100N PM10 R
2711	4822 124 11947	10UF 20% 16V
2712	4822 124 11947	10UF 20% 16V
2714	9965 000 05913	22PF +-2% 50V
2715	9965 000 05913	22PF +-2% 50V
2717	4822 124 23624	47UF20% 16V
2719	2222 586 18812	CER2 0603 X7R 50V 100N PM10 R
2721	2222 586 18812	CER2 0603 X7R 50V 100N PM10 R
2725	2222 586 18812	CER2 0603 X7R 50V 100N PM10 R
2728	4822 124 40248	10UF20% 63V
2732	2222 586 18812	CER2 0603 X7R 50V 100N PM10 R
2734	4822 124 40248	10UF20% 63V
2738	4822 122 33752	15PF 5%NP0 50V
2740	2020 552 94427	CER1 0603 NP0 50V 100P PM5 R
2741	9965 000 05913	22PF +-2% 50V
2742	4822 126 13881	470PF 5% 50V
2743	2222 586 18812	CER2 0603 X7R 50V 100N PM10 R
2745	2222 586 18812	CER2 0603 X7R 50V 100N PM10 R
2746	2222 586 18812	CER2 0603 X7R 50V 100N PM10 R
2747	2222 586 18812	CER2 0603 X7R 50V 100N PM10 R
2748	9965 000 05913	22PF +-2% 50V
2749	4822 124 81021	100UF20% 16V
2765	2222 586 18812	CER2 0603 X7R 50V 100N PM10 R
2766	4822 124 81021	100UF20% 16V
2767	2222 586 18812	CER2 0603 X7R 50V 100N PM10 R
2768	2020 552 94427	CER1 0603 NP0 50V 100P PM5 R
2774	2222 586 18812	CER2 0603 X7R 50V 100N PM10 R
2775	4822 124 11947	10UF 20% 16V
2776	4822 124 81021	100UF20% 16V
2778	2020 552 94427	CER1 0603 NP0 50V 100P PM5 R
2779	2020 552 94427	CER1 0603 NP0 50V 100P PM5 R
2780	2020 552 94427	CER1 0603 NP0 50V 100P PM5 R
2781	4822 126 14506	270PF 5% 50V 0603 NP0
2782	3198 016 36810	CER1 0603 NP0 25V 680P COL R

10. Spare parts list DVD616K/751

2783	4822 126 14506	270PF 5% 50V 0603 NP0
2785	4822 122 33753	150PF 5%NP0 50V
2786	4822 124 11947	10UF 20% 16V
2787	4822 122 33753	150PF 5%NP0 50V
2788	4822 124 11947	10UF 20% 16V
2789	5322 126 11578	1NF 10% X7R 50V 0603
2790	5322 126 11578	1NF 10% X7R 50V 0603

RESISTORS

3601	4822 051 30472	4K70 5% 0,062W
3602	4822 050 22209	22R00 1% 0,6W
3603	4822 051 30472	4K70 5% 0,062W
3604	4822 051 30102	1K00 5% 0,062W
3605	4822 051 30102	1K00 5% 0,062W
3606	4822 051 30008	0R00 JUMPER
3607	4822 051 30472	4K70 5% 0,062W
3609	4822 051 30008	0R00 JUMPER
3610	4822 051 30472	4K70 5% 0,062W
3611	4822 051 30008	0R00 JUMPER
3612	4822 051 30008	0R00 JUMPER
3613	4822 051 30339	33R00 5% 0,062W
3614	4822 051 30333	33K00 5% 0,062W
3615	4822 051 30339	33R00 5% 0,062W
3616	4822 051 30008	0R00 JUMPER
3617	4822 050 24708	4R70 1% 0,6W
3618	4822 051 30109	10R00 5% 0,062W
3619	4822 117 13608	4,7R 5% 0603 0,0016W
3621	4822 051 30103	10K00 5% 0,062W
3622	4822 051 30332	3K30 5% 0,062W
3623	4822 051 30183	18K00 5% 0,062W
3627	4822 051 30008	0R00 JUMPER
3629	4822 051 30103	10K00 5% 0,062W
3630	4822 051 30683	68K00 5% 0,062W
3632	4822 051 30008	0R00 JUMPER
3633	4822 051 30759	75R00 5% 0,062W
3634	4822 051 30008	0R00 JUMPER
3635	4822 051 30339	33R00 5% 0,062W
3637	4822 051 30008	0R00 JUMPER
3639	4822 051 30008	0R00 JUMPER
3640	4822 051 30479	47R00 5% 0,062W
3641	4822 051 30479	47R00 5% 0,062W
3642	4822 051 30479	47R00 5% 0,062W
3643	4822 051 30472	4K70 5% 0,062W
3644	4822 051 30472	4K70 5% 0,062W
3645	4822 051 30479	47R00 5% 0,062W

3646	4822 051 30479	47R00 5% 0,062W
3647	4822 051 30479	47R00 5% 0,062W
3648	4822 051 30479	47R00 5% 0,062W
3649	4822 051 30151	150R00 5% 0,062W
3650	4822 051 30151	150R00 5% 0,062W
3651	4822 051 30479	47R00 5% 0,062W
3652	4822 051 30339	33R00 5% 0,062W
3653	4822 051 30339	33R00 5% 0,062W
3654	4822 051 30339	33R00 5% 0,062W
3655	4822 051 30339	33R00 5% 0,062W
3656	4822 051 30339	33R00 5% 0,062W
3657	5322 117 13062	390R 1% 0.063W 0603 RC22H
3658	4822 051 30339	33R00 5% 0,062W
3659	4822 051 30339	33R00 5% 0,062W
3660	4822 051 30681	680R00 5% 0,062W
3661	4822 051 30339	33R00 5% 0,062W
3662	4822 051 30339	33R00 5% 0,062W
3663	4822 051 30339	33R00 5% 0,062W
3664	4822 051 30339	33R00 5% 0,062W
3665	4822 051 30339	33R00 5% 0,062W
3666	4822 051 30339	33R00 5% 0,062W
3667	4822 051 30339	33R00 5% 0,062W
3668	4822 051 30339	33R00 5% 0,062W
3669	4822 051 30339	33R00 5% 0,062W
3670	4822 051 30339	33R00 5% 0,062W
3671	4822 051 30339	33R00 5% 0,062W
3672	4822 051 30339	33R00 5% 0,062W
3675	4822 051 30105	1M00 5% 0,062W
3676	4822 051 30008	0R00 JUMPER
3678	4822 051 30008	0R00 JUMPER
3679	4822 051 30339	33R00 5% 0,062W
3680	4822 051 30339	33R00 5% 0,062W
3682	4822 051 30339	33R00 5% 0,062W
3683	4822 051 30339	33R00 5% 0,062W
3684	4822 051 30339	33R00 5% 0,062W
3687	4822 051 30109	10R00 5% 0,062W
3690	4822 051 30008	0R00 JUMPER
3692	4822 051 30151	150R00 5% 0,062W
3694	4822 051 30008	0R00 JUMPER
3696	4822 051 30102	1K00 5% 0,062W
3697	4822 051 30102	1K00 5% 0,062W
3698	4822 051 30102	1K00 5% 0,062W
3699	4822 051 30102	1K00 5% 0,062W
3700	4822 051 30109	10R00 5% 0,062W
3701	4822 051 30109	10R00 5% 0,062W

3703	4822 051 30332	3K30 5% 0,062W
3705	4822 051 30759	75R00 5% 0,062W
3706	4822 051 30183	18K00 5% 0,062W
3707	4822 051 30759	75R00 5% 0,062W
3708	5322 117 13042	3K9 1% 0.063W 0603 RC22H
3709	4822 051 30121	120R00 5% 0,062W
3710	4822 051 30759	75R00 5% 0,062W
3711	4822 051 30759	75R00 5% 0,062W
3726	5322 117 13049	470R 1% 0.063W 0603 RC22H
3729	4822 051 30561	560R00 5% 0,062W
3730	4822 051 30561	560R00 5% 0,062W
3732	4822 117 13632	100K 1% 0603 0.62W
3733	4822 117 13632	100K 1% 0603 0.62W
3735	5322 117 13049	470R 1% 0.063W 0603 RC22H
3738	5322 117 13053	6K8 1% 0.063W 0603 RC22H
3739	3198 021 31060	RST SM 0603 10M PM5COL R
3740	4822 051 30222	2K20 5% 0,062W
3741	4822 117 12925	47K 1% 0.063W 0603
3742	4822 051 30331	330R00 5% 0,062W
3743	4822 051 30102	1K00 5% 0,062W
3744	4822 051 30102	1K00 5% 0,062W
3746	4822 117 12891	220K 1% ERJ3E
3747	5322 117 13049	470R 1% 0.063W 0603 RC22H
3749	4822 051 30331	330R00 5% 0,062W
3750	2322 702 60919	RST SM 0603 RC21 91R PM5 R
3752	4822 051 30102	1K00 5% 0,062W
3753	4822 051 30102	1K00 5% 0,062W
3754	4822 051 30103	10K00 5% 0,062W
3755	4822 117 12891	220K 1% ERJ3E
3755	5322 117 13049	470R 1% 0.063W 0603 RC22H
3757	4822 051 30689	68R 5% 0,063W 0603 RC21 RST SM
3759	4822 051 30479	47R00 5% 0,062W
3760	4822 051 30339	33R00 5% 0,062W
3765	4822 051 30105	1M00 5% 0,062W
3766	4822 117 13498	2R2 5% 0,62W 0603
3767	4822 051 30102	1K00 5% 0,062W
3769	4822 051 30008	0R00 JUMPER
3771	4822 051 30008	0R00 JUMPER
3772	4822 051 30101	100R00 5% 0,062W
3773	4822 051 30101	100R00 5% 0,062W
3774	4822 051 30102	1K00 5% 0,062W
3775	4822 051 30102	1K00 5% 0,062W
3776	4822 051 30101	100R00 5% 0,062W
3778	4822 051 30109	10R00 5% 0,062W
3780	4822 051 30103	10K00 5% 0,062W

10. Spare parts list DVD616K/751

3782	4822 051 30339	33R00	5%	0,062W
3792	4822 051 30339	33R00	5%	0,062W
3795	4822 051 30339	33R00	5%	0,062W
3796	2120 108 94042	RST NETW SM RAC16 4X22R PM5	R	
3797	2120 108 94042	RST NETW SM RAC16 4X22R PM5	R	
3798	2120 108 94042	RST NETW SM RAC16 4X22R PM5	R	
3799	2120 108 94042	RST NETW SM RAC16 4X22R PM5	R	

COILS & CRYSTAL QUARTZ

5602	4822 157 53302	1UH		
5604	4822 157 53302	1UH		
5605	4822 157 11868	2.7UH	5%	
5606	2422 535 94163	IND FXD LAL02 A 1U8 PM5	T	
5607	4822 157 11868	2.7UH	5%	
5608	4822 157 11868	2.7UH	5%	
5609	4822 157 11868	2.7UH	5%	
5704	3141 018 20410	IND SMD BEAD EMI A 4S2		
5705	3141 018 20410	IND SMD BEAD EMI A 4S2		
5707	3141 018 80600	CRYSTAL QUARTZ 27M FUNDAMENTAL		
5710	8241 010 40420	LEADED FERRITE BEADS		
5711	8241 010 40420	LEADED FERRITE BEADS		

DIODES

6601	4822 130 30621	1N4148		
6602	4822 130 30621	1N4148		
6603	4822 130 30621	1N4148		
6604	4822 130 30621	1N4148		
6605	4822 130 30621	1N4148		
6607	4822 130 30621	1N4148		
6608	4822 130 30621	1N4148		
6612	4822 130 30621	1N4148		
6613	4822 130 30621	1N4148		
6614	4822 130 30621	1N4148		
6615	4822 130 30621	1N4148		
6616	4822 130 30621	1N4148		
6617	4822 130 30621	1N4148		
6618	4822 130 30621	1N4148		
6619	4822 130 30621	1N4148		
6620	4822 130 30621	1N4148		
6623	4822 130 30621	1N4148		
6630	3141 018 51150	DIO REC HER203		

TRANSISTORS & INTEGRATED CIRCUITS

7601	3141 018 51080	IC SM ES4428		
7603	5322 209 11517	PC74HCU04T		
7605	3141 017 40360	IC M29F400BT PROG DVD616K/751		
7607	3141 018 51120	IC SM V6300		
7609	3141 018 51050	IC SM CS4340		
7612	3141 018 51320	IC SM CS5333		
7613	3141 018 51100	IC SM CS4955		
7620	4822 130 10845	GP1F32T		
7621	8241 010 45120	IC SMD NJM4560		
7624	5322 209 11517	PC74HCU04T		
7626	3141 018 51280	IC SM 48LC4M16A2 (MICRON)		
7702	3141 018 51290	IC REGULATOR LD1117V (ST)		
7723	8241 010 05161	TRA TBC548C		
7726	8241 010 05161	TRA TBC548C		
7729	4822 130 42231	BC557C		
7730	4822 130 42231	BC557C		
7731	8241 010 05161	TRA TBC548C		
7733	4822 130 42231	BC557C		
7734	8241 010 05161	TRA TBC548C		

FRONT BOARD 3141 018 02550

MISCELLANEOUS

1400	3141 010 50220	VFD 20-0704N (ZEC)		
1402	2422 025 04858	CON BM V 9P F 2.50 DIPMATE	B	
1403	4822 265 30735	5 PINS		
1404	2422 025 04858	CON BM V 9P F 2.50 DIPMATE	B	
1405	2422 025 04849	CON BMT 2P		
1411	4822 276 13114	SWITCH, PUSH BUTTON		
1412	4822 276 13114	SWITCH, PUSH BUTTON		
1413	4822 276 13114	SWITCH, PUSH BUTTON		
1418	2422 128 02939	SWI PUSH 2P 100MA 30V SPEC12	B	
8401	3141 010 21030	CWAS 09PH/09OP 140 9	WH 26S	
8403	3141 010 21110	CWAS 09EH/090P 340 9	WH 26S	
8404	3141 010 21050	CWAS 05XH/05OP 330 5	WH 26S	
8405	3141 010 21130	CWAS 02XH/02OP 140 2	WH 26S	
8406	3141 010 20250	CWAS 01 SPA/01 OP 110 BK 24F	TO	

CAPACITORS

2401	4822 126 12339	2,2NF10% Y5R		
2402	2020 561 90365	CER2 TUB Y5V 50V 100N P8020	A	
2403	4822 124 40433	47UF20% 25V		
2404	2020 561 90365	CER2 TUB Y5V 50V 100N P8020	A	

2405	2020 561 90365	CER2 TUB Y5V 50V 100N P8020	A	
2406	4822 124 40433	47UF20% 25V		
2407	2020 561 90365	CER2 TUB Y5V 50V 100N P8020	A	

RESISTORS

3401	4822 116 52291	56K	5%	0,5W
3402	4822 050 21003	10K00	1%	0,6W
3403	4822 050 21003	10K00	1%	0,6W
3404	4822 050 21003	10K00	1%	0,6W
3405	4822 050 21002	1K00	1%	0,6W
3406	4822 050 21003	10K00	1%	0,6W
3407	4822 116 52195	47E	5%	0,5W
3409	4822 116 52283	4K7	5%	0,5W
3410	4822 116 52283	4K7	5%	0,5W
3411	4822 116 52283	4K7	5%	0,5W
3412	4822 116 83884	47K	5%	0,5W
△ 3413	4822 116 52228	680E	5%	0,5W
3414	4822 052 10478	4R70	5%	0,33W
3415	4822 116 52175	100E	5%	0,5W
3416	4822 116 52175	100E	5%	0,5W
3417	4822 116 52175	100E	5%	0,5W
3418	4822 116 52176	10E	5%	0,5W
3420	3141 010 60220	POTM CAR LOG 10K V RK09D113	B	
3421	3141 010 60220	POTM CAR LOG 10K V RK09D113	B	

DIODES

6400	4822 130 30621	1N4148		
6402	4822 130 31253	BZX79-C2V4		
6403	4822 130 34398	BZX79-B24		

TRANSISTORS & INTEGRATED CIRCUITS

7400	8241 010 40440	IC PT6312 QFP44		
7401	8241 010 45320	HEG836-16GP		

MIC BOARD 3141 018 02560

MISCELLANEOUS

1200	2422 025 06354	CON BM H 09P M 2.50	EH B	
1201	3141 010 30280	SOC MPHONE H 1P F 6.3	SIL B	
1202	3141 010 30280	SOC MPHONE H 1P F 6.3	SIL B	

CAPACITORS

10. Spare parts list DVD616K/751

2201	2020 552 94427	CER1 0603 NP0 50V 100P PM5 R
2202	2020 552 94427	CER1 0603 NP0 50V 100P PM5 R
2203	2238 246 59858	CER2 0603 Y5V 10V 470N P8020 R
2204	2238 246 59858	CER2 0603 Y5V 10V 470N P8020 R
2205	4822 126 11785	CER1 0603 NP0 50V 47P PM5
2206	4822 124 23053	1UF20% 63V
2207	4822 124 41584	100UF 20% 10V
2208	2020 552 94427	CER1 0603 NP0 50V 100P PM5 R
2209	4822 124 23053	1UF20% 63V
2210	4822 126 11785	CER1 0603 NP0 50V 47P PM5
2211	2238 586 15623	CER2 0603 X7R 50V 1N PM10 R
2212	2238 586 15623	CER2 0603 X7R 50V 1N PM10 R
2214	4822 124 11947	10UF 20% 16V
2215	4822 124 11947	10UF 20% 16V
2216	2020 552 94427	CER1 0603 NP0 50V 100P PM5 R
2217	2020 552 94427	CER1 0603 NP0 50V 100P PM5 R
2218	2238 246 59858	CER2 0603 Y5V 10V 470N P8020 R
2219	2238 246 59858	CER2 0603 Y5V 10V 470N P8020 R
2220	4822 126 11785	CER1 0603 NP0 50V 47P PM5
2221	4822 124 41584	100UF 20% 10V
2222	4822 124 23053	1UF20% 63V
2223	2020 552 94427	CER1 0603 NP0 50V 100P PM5 R
2224	4822 124 23053	1UF20% 63V
2225	4822 126 11785	CER1 0603 NP0 50V 47P PM5

RESISTORS

3201	4822 117 11817	1K2 1% 1/16W
3202	4822 051 30222	2K20 5% 0,062W
3203	4822 051 30101	100R00 5% 0,062W
3204	4822 051 30563	56K00 5% 0,062W
3205	4822 051 30102	1K00 5% 0,062W
3206	4822 117 12902	8K2 1% 0.063W 0603
3207	4822 051 30472	4K70 5% 0,062W
3208	5322 117 13053	6K8 1% 0.063W 0603 RC22H
3209	4822 051 30102	1K00 5% 0,062W
3212	4822 117 13608	4,7R 5% 0603 0,0016W
3213	4822 117 13608	4,7R 5% 0603 0,0016W
3214	4822 117 13608	4,7R 5% 0603 0,0016W
3215	4822 117 13608	4,7R 5% 0603 0,0016W
3216	4822 117 11817	1K2 1% 1/16W
3217	4822 051 30222	2K20 5% 0,062W
3218	4822 051 30101	100R00 5% 0,062W
3219	4822 051 30102	1K00 5% 0,062W
3220	4822 117 12902	8K2 1% 0.063W 0603
3221	4822 051 30563	56K00 5% 0,062W

3222	4822 051 30472	4K70 5% 0,062W
3223	5322 117 13053	6K8 1% 0.063W 0603 RC22H
3224	4822 051 30102	1K00 5% 0,062W
4201	4822 051 30008	0R00 JUMPER
4202	4822 051 30008	0R00 JUMPER
4203	4822 051 30008	0R00 JUMPER
4204	4822 051 30008	0R00 JUMPER

COILS & CRYSTAL QUARTZ

5200	4822 157 11235	22UH LANO2TB220J PM5 A
5201	4822 157 11235	22UH LANO2TB220J PM5 A

DIODES

6201	4822 130 30621	1N4148
6202	4822 130 30621	1N4148

TRANSISTORS & INTEGRATED CIRCUITS

7201	8241 010 45120	IC SMD NJM4560
7202	8241 010 45120	IC SMD NJM4560
7203	5322 130 60159	BC846B
7204	5322 130 60159	BC846B

11. Spare parts list DVD616K/782

Mechanical

0200	3141 017 76140	CAB FRONT DVD616K/691 PNT PRT
0201	3141 014 24720	BRACKET
0204	3141 017 76220	WINDOW DVD616K
0205	3141 017 75590	BUTTON POWER DVD616K PNT PRT
0208	3141 017 75580	VOLUME KNOB DVD616K PNT
0219	3141 017 75600	DOOR DVD616K PRT
0240	3141 017 75570	BUTTON CONTROL DVD616K PNT PRT
0249	3139 243 10080	CUSHION FOOT
0260	4822 532 60948	BUSH, PLASTIC
0384	3141 017 90161	REMOTE CONTROL
1001	3141 018 02930	PBAS PSU 90PS-132 WR BILLION
1002	3141 018 02800	PBAS MPEG DVD616K/781
1003	3141 018 02660	DVD LOADER MODULE A95H
1004	3141 018 02550	PBAS FRONT DVD616K/931
1005	3141 018 02560	PBAS MIC DVD616K/931
5001	3141 018 71300	MAIN CORD M7.92VH 1.60M
△ 8001	3141 010 21160	CWAS 40RK/40RK 300 40 28S
8002	3141 010 21140	CWAS 08XH/08XH 350 8 WH 26S
8003	3141 010 21150	CWAS 04XH/04LC 300 22S

MPEG BOARD 3141 018 02800

MISCELLANEOUS

1601	2422 025 09074	CONNECTOR 8P TOP
1604	3141 010 30250	CON S-VEDIO AND CVBS
1605	3141 010 30310	CON BM CINCH V 3P F WHRDBK B
1607	3141 010 30300	CON BM CINCH V 3P F GNBURD
1608	2422 025 10769	CON BMT 9P VERT PH-B
1609	3141 010 30350	CON BM V 40P M 2.54 1-440094-2

CAPACITORS

2601	2020 552 94427	CER1 0603 NP0 50V 100P PM5 R
2602	2020 552 94427	CER1 0603 NP0 50V 100P PM5 R
2603	2020 552 94427	CER1 0603 NP0 50V 100P PM5 R
2604	2020 552 94427	CER1 0603 NP0 50V 100P PM5 R
2605	2020 552 94427	CER1 0603 NP0 50V 100P PM5 R
2606	2020 552 94427	CER1 0603 NP0 50V 100P PM5 R
2608	2222 586 18812	CER2 0603 X7R 50V 100N PM10 R
2609	2222 586 18812	CER2 0603 X7R 50V 100N PM10 R
2610	9965 000 05913	22PF +-2% 50V
2611	4822 124 40196	220UF20% 16V

2612	4822 124 40248	10UF20% 63V
2613	2222 586 18812	CER2 0603 X7R 50V 100N PM10 R
2614	4822 124 81021	100UF20% 16V
2615	4822 124 81021	100UF20% 16V
2616	2222 586 18812	CER2 0603 X7R 50V 100N PM10 R
2617	2222 586 18812	CER2 0603 X7R 50V 100N PM10 R
2618	2222 586 18812	CER2 0603 X7R 50V 100N PM10 R
2619	2222 586 18812	CER2 0603 X7R 50V 100N PM10 R
2620	2222 586 18812	CER2 0603 X7R 50V 100N PM10 R
2621	2222 586 18812	CER2 0603 X7R 50V 100N PM10 R
2622	2222 586 18812	CER2 0603 X7R 50V 100N PM10 R
2623	2020 552 94427	CER1 0603 NP0 50V 100P PM5 R
2624	4822 124 81021	100UF20% 16V
2625	2222 586 18812	CER2 0603 X7R 50V 100N PM10 R
2626	2222 586 18812	CER2 0603 X7R 50V 100N PM10 R
2627	2222 586 18812	CER2 0603 X7R 50V 100N PM10 R
2628	9965 000 05913	22PF +-2% 50V
2629	2222 586 18812	CER2 0603 X7R 50V 100N PM10 R
2632	4822 124 81021	100UF20% 16V
2633	4822 124 40248	10UF20% 63V
2634	4822 124 81021	100UF20% 16V
2635	4822 124 81021	100UF20% 16V
2636	2222 586 18812	CER2 0603 X7R 50V 100N PM10 R
2637	2222 586 18812	CER2 0603 X7R 50V 100N PM10 R
2639	2222 586 18812	CER2 0603 X7R 50V 100N PM10 R
2640	2222 586 18812	CER2 0603 X7R 50V 100N PM10 R
2641	2222 586 18812	CER2 0603 X7R 50V 100N PM10 R
2642	2222 586 18812	CER2 0603 X7R 50V 100N PM10 R
2643	2222 586 18812	CER2 0603 X7R 50V 100N PM10 R
2645	2020 552 94427	CER1 0603 NP0 50V 100P PM5 R
2646	2020 552 94427	CER1 0603 NP0 50V 100P PM5 R
2649	2222 586 18812	CER2 0603 X7R 50V 100N PM10 R
2651	2222 586 18812	CER2 0603 X7R 50V 100N PM10 R
2652	2222 586 18812	CER2 0603 X7R 50V 100N PM10 R
2655	4822 124 81021	100UF20% 16V
2656	4822 124 81021	100UF20% 16V
2657	4822 124 40248	10UF20% 63V
2658	4822 124 40248	10UF20% 63V
2663	2020 552 94427	CER1 0603 NP0 50V 100P PM5 R
2667	4822 124 40248	10UF20% 63V
2668	2222 586 18812	CER2 0603 X7R 50V 100N PM10 R
2669	2222 586 18812	CER2 0603 X7R 50V 100N PM10 R
2670	2222 586 18812	CER2 0603 X7R 50V 100N PM10 R
2672	2222 586 18812	CER2 0603 X7R 50V 100N PM10 R
2673	4822 124 21913	1UF20% 63V

2674	4822 124 21913	1UF20% 63V
2675	2222 586 18812	CER2 0603 X7R 50V 100N PM10 R
2683	4822 124 21913	1UF20% 63V
2684	4822 124 21913	1UF20% 63V
2685	2238 586 19812	CER2 0603 Y5V 50V 100N P8020 R
2688	9965 000 05913	22PF +-2% 50V
2692	2222 586 18812	CER2 0603 X7R 50V 100N PM10 R
2693	4822 124 40248	10UF20% 63V
2695	4822 124 40196	220UF20% 16V
2696	2222 586 18812	CER2 0603 X7R 50V 100N PM10 R
2697	2222 586 18812	CER2 0603 X7R 50V 100N PM10 R
2698	2222 586 18812	CER2 0603 X7R 50V 100N PM10 R
2699	2222 586 18812	CER2 0603 X7R 50V 100N PM10 R
2711	4822 124 40248	10UF20% 63V
2712	4822 124 40248	10UF20% 63V
2714	9965 000 05913	22PF +-2% 50V
2715	9965 000 05913	22PF +-2% 50V
2717	4822 124 40433	47UF20% 25V
2718	4822 124 40248	10UF20% 63V
2719	2222 586 18812	CER2 0603 X7R 50V 100N PM10 R
2721	2222 586 18812	CER2 0603 X7R 50V 100N PM10 R
2725	2222 586 18812	CER2 0603 X7R 50V 100N PM10 R
2728	4822 124 40248	10UF20% 63V
2732	2222 586 18812	CER2 0603 X7R 50V 100N PM10 R
2734	4822 124 40248	10UF20% 63V
2738	4822 122 33752	15PF 5%NP0 50V
2740	2020 552 94427	CER1 0603 NP0 50V 100P PM5 R
2741	9965 000 05913	22PF +-2% 50V
2742	4822 126 13881	470PF 5% 50V
2743	2222 586 18812	CER2 0603 X7R 50V 100N PM10 R
2745	2222 586 18812	CER2 0603 X7R 50V 100N PM10 R
2746	2222 586 18812	CER2 0603 X7R 50V 100N PM10 R
2747	2222 586 18812	CER2 0603 X7R 50V 100N PM10 R
2748	9965 000 05913	22PF +-2% 50V
2749	4822 124 81021	100UF20% 16V
2765	2222 586 18812	CER2 0603 X7R 50V 100N PM10 R
2766	4822 124 40433	47UF20% 25V
2767	2222 586 18812	CER2 0603 X7R 50V 100N PM10 R
2768	2020 552 94427	CER1 0603 NP0 50V 100P PM5 R
2774	2222 586 18812	CER2 0603 X7R 50V 100N PM10 R
2775	4822 124 40248	10UF20% 63V
2776	4822 124 81021	100UF20% 16V
2778	2020 552 94427	CER1 0603 NP0 50V 100P PM5 R
2779	2020 552 94427	CER1 0603 NP0 50V 100P PM5 R
2780	2020 552 94427	CER1 0603 NP0 50V 100P PM5 R

11. Spare parts list DVD616K/782

2781 4822 126 14506 270PF 5% 50V 0603 NP0
 2782 3198 016 36810 CER1 0603 NP0 25V 680P COL R
 2783 4822 126 14506 270PF 5% 50V 0603 NP0
 2785 4822 122 33753 150PF 5%NP0 50V
 2786 4822 124 40248 10UF20% 63V
 2787 4822 122 33753 150PF 5%NP0 50V
 2788 4822 124 40248 10UF20% 63V
 2789 5322 126 11578 1NF 10% X7R 50V 0603
 2790 5322 126 11578 1NF 10% X7R 50V 0603

RESISTORS

3601 4822 051 30472 4K70 5% 0,062W
 3602 4822 050 22209 22R00 1% 0,6W
 3603 4822 051 30472 4K70 5% 0,062W
 3604 4822 051 30102 1K00 5% 0,062W
 3605 4822 051 30102 1K00 5% 0,062W
 3606 4822 051 30008 0R00 JUMPER
 3607 4822 051 30472 4K70 5% 0,062W
 3609 4822 051 30008 0R00 JUMPER
 3610 4822 051 30472 4K70 5% 0,062W
 3611 4822 051 30008 0R00 JUMPER
 3612 4822 051 30008 0R00 JUMPER
 3613 4822 051 30339 33R00 5% 0,062W
 3614 4822 051 30333 33K00 5% 0,062W
 3615 4822 051 30339 33R00 5% 0,062W
 3616 4822 051 30008 0R00 JUMPER
 3617 4822 050 24708 4R70 1% 0,6W
 3618 4822 051 30109 10R00 5% 0,062W
 3619 4822 117 13608 4,7R 5% 0603 0,0016W
 3621 2322 702 60512 RST SM 0603 RC21 5K1 PM5 R
 3622 4822 051 30472 4K70 5% 0,062W
 3623 4822 051 30183 18K00 5% 0,062W
 3627 4822 051 30008 0R00 JUMPER
 3629 2322 702 60512 RST SM 0603 RC21 5K1 PM5 R
 3630 4822 051 30683 68K00 5% 0,062W
 3632 4822 051 30008 0R00 JUMPER
 3633 4822 051 30759 75R00 5% 0,062W
 3634 4822 051 30008 0R00 JUMPER
 3635 4822 051 30339 33R00 5% 0,062W
 3637 4822 051 30008 0R00 JUMPER
 3639 4822 051 30008 0R00 JUMPER
 3640 4822 051 30479 47R00 5% 0,062W
 3641 4822 051 30479 47R00 5% 0,062W
 3642 4822 051 30479 47R00 5% 0,062W

3643 4822 051 30472 4K70 5% 0,062W
 3644 4822 051 30472 4K70 5% 0,062W
 3645 4822 051 30479 47R00 5% 0,062W
 3646 4822 051 30479 47R00 5% 0,062W
 3647 4822 051 30479 47R00 5% 0,062W
 3648 4822 051 30479 47R00 5% 0,062W
 3649 4822 051 30151 150R00 5% 0,062W
 3650 4822 051 30151 150R00 5% 0,062W
 3651 4822 051 30479 47R00 5% 0,062W
 3652 4822 051 30339 33R00 5% 0,062W
 3653 4822 051 30339 33R00 5% 0,062W
 3654 4822 051 30339 33R00 5% 0,062W
 3655 4822 051 30339 33R00 5% 0,062W
 3656 4822 051 30339 33R00 5% 0,062W
 3657 5322 117 13062 390R 1% 0.063W 0603 RC22H
 3658 4822 051 30339 33R00 5% 0,062W
 3659 4822 051 30339 33R00 5% 0,062W
 3660 4822 051 30681 680R00 5% 0,062W
 3661 4822 051 30339 33R00 5% 0,062W
 3662 4822 051 30339 33R00 5% 0,062W
 3663 4822 051 30339 33R00 5% 0,062W
 3664 4822 051 30339 33R00 5% 0,062W
 3665 4822 051 30339 33R00 5% 0,062W
 3666 4822 051 30339 33R00 5% 0,062W
 3667 4822 051 30339 33R00 5% 0,062W
 3668 4822 051 30339 33R00 5% 0,062W
 3669 4822 051 30339 33R00 5% 0,062W
 3670 4822 051 30339 33R00 5% 0,062W
 3671 4822 051 30339 33R00 5% 0,062W
 3672 4822 051 30339 33R00 5% 0,062W
 3675 4822 051 30105 1M00 5% 0,062W
 3676 4822 051 30008 0R00 JUMPER
 3678 4822 051 30008 0R00 JUMPER
 3679 4822 051 30339 33R00 5% 0,062W
 3680 4822 051 30339 33R00 5% 0,062W
 3682 4822 051 30339 33R00 5% 0,062W
 3683 4822 051 30339 33R00 5% 0,062W
 3687 4822 051 30109 10R00 5% 0,062W
 3690 4822 051 30008 0R00 JUMPER
 3692 4822 051 30151 150R00 5% 0,062W
 3694 4822 051 30008 0R00 JUMPER
 3696 4822 051 30102 1K00 5% 0,062W
 3697 4822 051 30102 1K00 5% 0,062W
 3698 4822 051 30102 1K00 5% 0,062W
 3699 4822 051 30102 1K00 5% 0,062W

3700 4822 051 30109 10R00 5% 0,062W
 3701 4822 051 30109 10R00 5% 0,062W
 3703 4822 051 30472 4K70 5% 0,062W
 3705 4822 051 30759 75R00 5% 0,062W
 3706 4822 051 30183 18K00 5% 0,062W
 3707 4822 051 30759 75R00 5% 0,062W
 3708 5322 117 13042 3K9 1% 0.063W 0603 RC22H
 3709 4822 051 30121 120R00 5% 0,062W
 3710 4822 051 30759 75R00 5% 0,062W
 3711 4822 051 30759 75R00 5% 0,062W
 3726 5322 117 13049 470R 1% 0.063W 0603 RC22H
 3729 4822 051 30561 560R00 5% 0,062W
 3730 4822 051 30561 560R00 5% 0,062W
 3732 4822 117 13632 100K 1% 0603 0.62W
 3733 4822 117 13632 100K 1% 0603 0.62W
 3735 5322 117 13049 470R 1% 0.063W 0603 RC22H
 3738 5322 117 13053 6K8 1% 0.063W 0603 RC22H
 3739 3198 021 31060 RST SM 0603 10M PM5COL R
 3740 4822 051 30222 2K20 5% 0,062W
 3741 4822 117 12925 47K 1% 0.063W 0603
 3742 4822 051 30331 330R00 5% 0,062W
 3743 4822 051 30102 1K00 5% 0,062W
 3744 4822 051 30102 1K00 5% 0,062W
 3746 4822 117 12891 220K 1% ERJ3E
 3747 5322 117 13049 470R 1% 0.063W 0603 RC22H
 3749 4822 051 30331 330R00 5% 0,062W
 3750 2322 702 60919 RST SM 0603 RC21 91R PM5 R
 3752 4822 051 30102 1K00 5% 0,062W
 3753 4822 051 30102 1K00 5% 0,062W
 3754 4822 051 30103 10K00 5% 0,062W
 3755 4822 117 12891 220K 1% ERJ3E
 3756 5322 117 13049 470R 1% 0.063W 0603 RC22H
 3757 4822 051 30689 68R 5% 0,063W 0603 RC21 RST SM
 3759 4822 051 30479 47R00 5% 0,062W
 3760 4822 051 30339 33R00 5% 0,062W
 3765 4822 051 30105 1M00 5% 0,062W
 3766 4822 117 13498 2R2 5% 0,62W 0603
 3767 4822 051 30102 1K00 5% 0,062W
 3769 4822 051 30008 0R00 JUMPER
 3771 4822 051 30008 0R00 JUMPER
 3772 4822 051 30101 100R00 5% 0,062W
 3773 4822 051 30101 100R00 5% 0,062W
 3774 4822 051 30102 1K00 5% 0,062W
 3775 4822 051 30102 1K00 5% 0,062W
 3776 4822 051 30101 100R00 5% 0,062W

11. Spare parts list DVD616K/782

3778	4822 051 30109	10R00	5%	0,062W
3780	4822 051 30103	10K00	5%	0,062W
3782	4822 051 30339	33R00	5%	0,062W
3792	4822 051 30339	33R00	5%	0,062W
3795	4822 051 30339	33R00	5%	0,062W
3796	2120 108 94042	RST NETW SM RAC16 4X22R PM5 R		
3797	2120 108 94042	RST NETW SM RAC16 4X22R PM5 R		
3798	2120 108 94042	RST NETW SM RAC16 4X22R PM5 R		
3799	2120 108 94042	RST NETW SM RAC16 4X22R PM5 R		

COILS & CRYSTAL QUARTZ

5602	4822 157 53302	1UH		
5604	4822 157 53302	1UH		
5605	4822 157 11868	2.7UH 5%		
5606	2422 535 94163	IND FXD LAL02 A 1U8 PM5 T		
5607	4822 157 11868	2.7UH 5%		
5608	4822 157 11868	2.7UH 5%		
5609	4822 157 11868	2.7UH 5%		
5704	3141 018 20410	IND SMD BEAD EMI A 4S2		
5705	3141 018 20410	IND SMD BEAD EMI A 4S2		
5707	3141 018 80600	CRYSTAL QUARTZ 27M FUNDAMENTAL		
5710	8241 010 40420	LEADED FERRITE BEADS		
5711	8241 010 40420	LEADED FERRITE BEADS		

DIODES

6601	4822 130 30621	1N4148		
6602	4822 130 30621	1N4148		
6603	4822 130 30621	1N4148		
6604	4822 130 30621	1N4148		
6605	4822 130 30621	1N4148		
6607	4822 130 30621	1N4148		
6608	4822 130 30621	1N4148		
6612	4822 130 30621	1N4148		
6613	4822 130 30621	1N4148		
6614	4822 130 30621	1N4148		
6615	4822 130 30621	1N4148		
6616	4822 130 30621	1N4148		
6617	4822 130 30621	1N4148		
6618	4822 130 30621	1N4148		
6619	4822 130 30621	1N4148		
6620	4822 130 30621	1N4148		
6623	4822 130 30621	1N4148		
6630	3141 018 51150	DIO REC HER203		

TRANSISTORS & INTEGRATED CIRCUITS

7601	3141 018 51080	IC SM ES4428		
7603	5322 209 11517	PC74HCU04T		
7605	3141 017 40370	IC M29F400BT PROG DVD616K/781		
7607	3141 018 51120	IC SM V6300		
7609	3141 018 51050	IC SM CS4340		
7612	3141 018 51320	IC SM CS5333		
7613	3141 018 51100	IC SM CS4955		
7620	4822 130 10845	GP1F32T		
7621	8241 010 45120	IC SMD NJM4560		
7624	5322 209 11517	PC74HCU04T		
7626	3141 018 51280	IC SM 48LC4M16A2 (MICRON)		
7702	3141 018 51290	IC REGULATOR LD1117V (ST)		
7723	9335 535 30676	TRA SIG TBC548C (TOSJ) A		
7726	9335 535 30676	TRA SIG TBC548C (TOSJ) A		
7729	4822 130 42231	BC557C		
7730	4822 130 42231	BC557C		
7731	9335 535 30676	TRA SIG TBC548C (TOSJ) A		
7733	4822 130 42231	BC557C		
7734	9335 535 30676	TRA SIG TBC548C (TOSJ) A		

FRONT BOARD 3141 018 02550

MISCELLANEOUS

1400	3141 010 50220	VFD 20-0704N (ZEC)		
1402	2422 025 04858	CON BM V 9P F 2.50 DIPMATE B		
1403	4822 265 30735	5 PINS		
1404	2422 025 04858	CON BM V 9P F 2.50 DIPMATE B		
1405	2422 025 04849	CON BMT 2P		
1411	4822 276 13114	SWITCH, PUSH BUTTON		
1412	4822 276 13114	SWITCH, PUSH BUTTON		
1413	4822 276 13114	SWITCH, PUSH BUTTON		
1418	2422 128 02939	SWI PUSH 2P 100MA 30V SPEC12 B		
8401	3141 010 21030	CWAS 09PH/09OP 140 9 WH 26S		
8403	3141 010 21110	CWAS 09EH/090P 340 9 WH 26S		
8404	3141 010 21050	CWAS 05XH/05OP 330 5 WH 26S		
8405	3141 010 21130	CWAS 02XH/02OP 140 2 WH 26S		
8406	3141 010 20250	CWAS 01 SPA/01 OP 110 BK 24F TO		

CAPACITORS

2401	4822 126 12339	2,2NF10% Y5R		
2402	2020 561 90365	CER2 TUB Y5V 50V 100N P8020 A		
2403	4822 124 40433	47UF20% 25V		
2404	2020 561 90365	CER2 TUB Y5V 50V 100N P8020 A		

2405	2020 561 90365	CER2 TUB Y5V 50V 100N P8020 A		
2406	4822 124 40433	47UF20% 25V		
2407	2020 561 90365	CER2 TUB Y5V 50V 100N P8020 A		

RESISTORS

3401	4822 116 52291	56K	5%	0,5W
3402	4822 050 21003	10K00	1%	0,6W
3403	4822 050 21003	10K00	1%	0,6W
3404	4822 050 21003	10K00	1%	0,6W
3405	4822 050 21002	1K00	1%	0,6W
3406	4822 050 21003	10K00	1%	0,6W
3407	4822 116 52195	47E	5%	0,5W
3409	4822 116 52283	4K7	5%	0,5W
3410	4822 116 52283	4K7	5%	0,5W
3411	4822 116 52283	4K7	5%	0,5W
3412	4822 116 83884	47K	5%	0,5W
3413	4822 116 52228	680E	5%	0,5W
△ 3414	4822 052 10478	4R70	5%	0,33W
3415	4822 116 52175	100E	5%	0,5W
3416	4822 116 52175	100E	5%	0,5W
3417	4822 116 52175	100E	5%	0,5W
3418	4822 116 52176	10E	5%	0,5W
3420	3141 010 60220	POTM CAR LOG 10K V RK09D113 B		
3421	3141 010 60220	POTM CAR LOG 10K V RK09D113 B		

DIODES

6400	4822 130 30621	1N4148		
6402	4822 130 31253	BZX79-C2V4		
6403	4822 130 34398	BZX79-B24		

TRANSISTORS & INTEGRATED CIRCUITS

7400	8241 010 40440	IC PT6312 QFP44		
7401	8241 010 45320	HEG836-16GP		

MIC BOARD 3141 018 02560

1200	2422 025 06354	CON BM H 09P M 2.50 EH B		
1201	3141 010 30280	SOC MPHONE H 1P F 6.3 SIL B		
1202	3141 010 30280	SOC MPHONE H 1P F 6.3 SIL B		

CAPACITORS

2201	2020 552 94427	CER1 0603 NP0 50V 100P PM5 R		
2202	2020 552 94427	CER1 0603 NP0 50V 100P PM5 R		
2203	2238 246 59858	CER2 0603 Y5V 10V 470N P8020 R		

11. Spare parts list DVD616K/782

2204	2238 246 59858	CER2 0603 Y5V 10V 470N P8020 R
2205	4822 126 11785	CER1 0603 NP0 50V 47P PM5
2206	4822 124 23053	1UF20% 63V
2207	4822 124 41584	100UF 20% 10V
2208	2020 552 94427	CER1 0603 NP0 50V 100P PM5 R
2209	4822 124 23053	1UF20% 63V
2210	4822 126 11785	CER1 0603 NP0 50V 47P PM5
2211	2238 586 15623	CER2 0603 X7R 50V 1N PM10 R
2212	2238 586 15623	CER2 0603 X7R 50V 1N PM10 R
2214	4822 124 11947	10UF 20% 16V
2215	4822 124 11947	10UF 20% 16V
2216	2020 552 94427	CER1 0603 NP0 50V 100P PM5 R
2217	2020 552 94427	CER1 0603 NP0 50V 100P PM5 R
2218	2238 246 59858	CER2 0603 Y5V 10V 470N P8020 R
2219	2238 246 59858	CER2 0603 Y5V 10V 470N P8020 R
2220	4822 126 11785	CER1 0603 NP0 50V 47P PM5
2221	4822 124 41584	100UF 20% 10V
2222	4822 124 23053	1UF20% 63V
2223	2020 552 94427	CER1 0603 NP0 50V 100P PM5 R
2224	4822 124 23053	1UF20% 63V
2225	4822 126 11785	CER1 0603 NP0 50V 47P PM5

RESISTORS

3201	4822 117 11817	1K2 1% 1/16W
3202	4822 051 30222	2K20 5% 0,062W
3203	4822 051 30101	100R00 5% 0,062W
3204	4822 051 30563	56K00 5% 0,062W
3205	4822 051 30102	1K00 5% 0,062W
3206	4822 117 12902	8K2 1% 0.063W 0603
3207	4822 051 30472	4K70 5% 0,062W
3208	5322 117 13053	6K8 1% 0.063W 0603 RC22H
3209	4822 051 30102	1K00 5% 0,062W
3212	4822 117 13608	4,7R 5% 0603 0,0016W
3213	4822 117 13608	4,7R 5% 0603 0,0016W
3214	4822 117 13608	4,7R 5% 0603 0,0016W
3215	4822 117 13608	4,7R 5% 0603 0,0016W
3216	4822 117 11817	1K2 1% 1/16W
3217	4822 051 30222	2K20 5% 0,062W
3218	4822 051 30101	100R00 5% 0,062W
3219	4822 051 30102	1K00 5% 0,062W
3220	4822 117 12902	8K2 1% 0.063W 0603
3221	4822 051 30563	56K00 5% 0,062W
3222	4822 051 30472	4K70 5% 0,062W
3223	5322 117 13053	6K8 1% 0.063W 0603 RC22H

3224	4822 051 30102	1K00 5% 0,062W
4201	4822 051 30008	OR00 JUMPER
4202	4822 051 30008	OR00 JUMPER
4203	4822 051 30008	OR00 JUMPER
4204	4822 051 30008	OR00 JUMPER

COILS & CRYSTAL QUARTZ

5200	4822 157 11235	22UH LANO2TB220J PM5 A
5201	4822 157 11235	22UH LANO2TB220J PM5 A

DIODES

6201	4822 130 30621	1N4148
6202	4822 130 30621	1N4148

TRANSISTORS & INTEGRATED CIRCUITS

7201	8241 010 45120	IC SMD NJM4560
7202	8241 010 45120	IC SMD NJM4560
7203	5322 130 60159	BC846B
7204	5322 130 60159	BC846B

12. Spare parts list DVD616K/931

Mechanical

0200	3141 017 75560	CAB FRONT DVD616K/931 PNT PRT
0201	3141 014 24720	BRACKET
0204	3141 017 76220	WINDOW DVD616K
0205	3141 017 75590	BUTTON POWER DVD616K PNT PRT
0208	3141 017 75580	VOLUME KNOB DVD616K PNT
0219	3141 017 75600	DOOR DVD616K PRT
0240	3141 017 75570	BUTTON CONTROL DVD616K PNT PRT
0249	3139 243 10080	CUSHION FOOT
0260	4822 532 60948	BUSH, PLASTIC
0384	3141 017 90171	REMOTE CONTROL
1001	3141 018 02930	PBAS PSU 90PS-132 WR BILLION
1002	3141 018 02770	PBAS MPEG DVD616K/931
1003	3141 018 02660	DVD LOADER MODULE A95H
1004	3141 018 02550	PBAS FRONT DVD616K/931
1005	3141 018 02560	PBAS MIC DVD616K/931
5001	3141 018 71290	A.C MAIN CORD M7.92VH 1.60M
△ 8001	3141 010 21160	CWAS 40RK/40RK 300 40 28S
8002	3141 010 21140	CWAS 08XH/08XH 350 8 WH 26S
8003	3141 010 21150	CWAS 04XH/04LC 300 22S

MPEG BOARD 3141 018 02770

MISCELLANEOUS

1601	2422 025 09074	CONNECTOR 8P TOP
1603	3141 010 30320	CON BM CINCH V 6P F B
1604	3141 010 30250	CON S-VIDEO AND CVBS
1605	3141 010 30310	CON BM CINCH V 3P F WHRDBK B
1607	3141 010 30300	CON BM CINCH V 3P F GNBURD
1608	2422 025 10769	CON BMT 9P VERT PH-B
1609	3141 010 30350	CON BM V 40P M 2.54 1-440094-2

CAPACITORS

2601	2020 552 94427	CER1 0603 NP0 50V 100P PM5 R
2602	2020 552 94427	CER1 0603 NP0 50V 100P PM5 R
2603	2020 552 94427	CER1 0603 NP0 50V 100P PM5 R
2604	2020 552 94427	CER1 0603 NP0 50V 100P PM5 R
2605	2020 552 94427	CER1 0603 NP0 50V 100P PM5 R
2606	2020 552 94427	CER1 0603 NP0 50V 100P PM5 R
2607	4822 126 13881	470PF 5% 50V
2608	2222 586 18812	CER2 0603 X7R 50V 100N PM10 R
2609	2222 586 18812	CER2 0603 X7R 50V 100N PM10 R
2610	9965 000 05913	22PF +-2% 50V

2611	4822 124 40196	220UF20% 16V
2612	4822 124 11947	10UF 20% 16V
2613	2222 586 18812	CER2 0603 X7R 50V 100N PM10 R
2614	4822 124 40207	100UF20% 25V
2615	4822 124 40207	100UF20% 25V
2616	2222 586 18812	CER2 0603 X7R 50V 100N PM10 R
2617	2222 586 18812	CER2 0603 X7R 50V 100N PM10 R
2618	2222 586 18812	CER2 0603 X7R 50V 100N PM10 R
2619	2222 586 18812	CER2 0603 X7R 50V 100N PM10 R
2620	2222 586 18812	CER2 0603 X7R 50V 100N PM10 R
2621	2222 586 18812	CER2 0603 X7R 50V 100N PM10 R
2622	2222 586 18812	CER2 0603 X7R 50V 100N PM10 R
2623	2020 552 94427	CER1 0603 NP0 50V 100P PM5 R
2624	4822 124 81021	100UF20% 16V
2625	2222 586 18812	CER2 0603 X7R 50V 100N PM10 R
2626	2222 586 18812	CER2 0603 X7R 50V 100N PM10 R
2627	2222 586 18812	CER2 0603 X7R 50V 100N PM10 R
2628	9965 000 05913	22PF +-2% 50V
2629	2222 586 18812	CER2 0603 X7R 50V 100N PM10 R
2630	5322 126 11578	1NF 10% X7R 50V 0603
2631	4822 126 13881	470PF 5% 50V
2632	4822 124 81021	100UF20% 16V
2633	4822 124 11947	10UF 20% 16V
2634	4822 124 81021	100UF20% 16V
2635	4822 124 81021	100UF20% 16V
2636	2222 586 18812	CER2 0603 X7R 50V 100N PM10 R
2637	2222 586 18812	CER2 0603 X7R 50V 100N PM10 R
2639	2222 586 18812	CER2 0603 X7R 50V 100N PM10 R
2640	2222 586 18812	CER2 0603 X7R 50V 100N PM10 R
2641	2222 586 18812	CER2 0603 X7R 50V 100N PM10 R
2642	2222 586 18812	CER2 0603 X7R 50V 100N PM10 R
2643	2222 586 18812	CER2 0603 X7R 50V 100N PM10 R
2645	2020 552 94427	CER1 0603 NP0 50V 100P PM5 R
2646	2020 552 94427	CER1 0603 NP0 50V 100P PM5 R
2647	5322 126 11578	1NF 10% X7R 50V 0603
2648	4822 126 13881	470PF 5% 50V
2649	2222 586 18812	CER2 0603 X7R 50V 100N PM10 R
2650	5322 126 11578	1NF 10% X7R 50V 0603
2651	2222 586 18812	CER2 0603 X7R 50V 100N PM10 R
2652	2222 586 18812	CER2 0603 X7R 50V 100N PM10 R
2653	4822 126 13881	470PF 5% 50V
2654	5322 126 11578	1NF 10% X7R 50V 0603
2655	4822 124 81021	100UF20% 16V
2656	4822 124 11947	10UF 20% 16V
2657	4822 124 11947	10UF 20% 16V

2658	4822 124 11947	10UF 20% 16V
2659	4822 126 13881	470PF 5% 50V
2660	5322 126 11578	1NF 10% X7R 50V 0603
2662	4822 126 13881	470PF 5% 50V
2663	2020 552 94427	CER1 0603 NP0 50V 100P PM5 R
2664	5322 126 11578	1NF 10% X7R 50V 0603
2665	4822 124 11947	10UF 20% 16V
2666	2222 586 18812	CER2 0603 X7R 50V 100N PM10 R
2667	4822 124 11947	10UF 20% 16V
2668	2222 586 18812	CER2 0603 X7R 50V 100N PM10 R
2669	2222 586 18812	CER2 0603 X7R 50V 100N PM10 R
2670	2222 586 18812	CER2 0603 X7R 50V 100N PM10 R
2672	2222 586 18812	CER2 0603 X7R 50V 100N PM10 R
2673	4822 124 21913	1UF20% 63V
2674	4822 124 21913	1UF20% 63V
2675	2222 586 18812	CER2 0603 X7R 50V 100N PM10 R
2683	4822 124 21913	1UF20% 63V
2684	4822 124 21913	1UF20% 63V
2685	2238 586 19812	CER2 0603 Y5V 50V 100N P8020 R
2688	9965 000 05913	22PF +-2% 50V
2692	2222 586 18812	CER2 0603 X7R 50V 100N PM10 R
2693	4822 124 11947	10UF 20% 16V
2695	4822 124 40196	220UF20% 16V
2696	2222 586 18812	CER2 0603 X7R 50V 100N PM10 R
2697	2222 586 18812	CER2 0603 X7R 50V 100N PM10 R
2698	2222 586 18812	CER2 0603 X7R 50V 100N PM10 R
2699	2222 586 18812	CER2 0603 X7R 50V 100N PM10 R
2700	3198 016 36810	CER1 0603 NP0 25V 680P COL R
2702	4822 124 11947	10UF 20% 16V
2703	4822 122 33753	150PF 5%NP0 50V
2704	3198 016 36810	CER1 0603 NP0 25V 680P COL R
2705	4822 124 11947	10UF 20% 16V
2706	4822 124 11947	10UF 20% 16V
2707	4822 124 11947	10UF 20% 16V
2708	9965 000 05913	22PF +-2% 50V
2709	9965 000 05913	22PF +-2% 50V
2710	9965 000 05913	22PF +-2% 50V
2711	4822 124 11947	10UF 20% 16V
2712	4822 124 11947	10UF 20% 16V
2713	4822 124 11947	10UF 20% 16V
2714	9965 000 05913	22PF +-2% 50V
2715	9965 000 05913	22PF +-2% 50V
2716	9965 000 05913	22PF +-2% 50V
2717	4822 124 23624	47UF20% 16V
2719	2222 586 18812	CER2 0603 X7R 50V 100N PM10 R

12. Spare parts list DVD616K/931

2720	4822 124 81021	100UF20% 16V
2721	2222 586 18812	CER2 0603 X7R 50V 100N PM10 R
2722	4822 124 11947	10UF 20% 16V
2725	2222 586 18812	CER2 0603 X7R 50V 100N PM10 R
2726	2222 586 18812	CER2 0603 X7R 50V 100N PM10 R
2727	2222 586 18812	CER2 0603 X7R 50V 100N PM10 R
2728	4822 124 40248	10UF20% 63V
2729	4822 124 11947	10UF 20% 16V
2730	4822 124 11947	10UF 20% 16V
2731	2222 586 18812	CER2 0603 X7R 50V 100N PM10 R
2732	2222 586 18812	CER2 0603 X7R 50V 100N PM10 R
2733	2222 586 18812	CER2 0603 X7R 50V 100N PM10 R
2734	4822 124 40248	10UF20% 63V
2735	4822 124 11947	10UF 20% 16V
2736	4822 124 11947	10UF 20% 16V
2738	4822 122 33752	15PF 5%NP0 50V
2740	2020 552 94427	CER1 0603 NP0 50V 100P PM5 R
2741	9965 000 05913	22PF +-2% 50V
2742	4822 126 13881	470PF 5% 50V
2743	2222 586 18812	CER2 0603 X7R 50V 100N PM10 R
2745	2222 586 18812	CER2 0603 X7R 50V 100N PM10 R
2746	2222 586 18812	CER2 0603 X7R 50V 100N PM10 R
2747	2222 586 18812	CER2 0603 X7R 50V 100N PM10 R
2748	9965 000 05913	22PF +-2% 50V
2749	4822 124 11947	10UF 20% 16V
2765	2222 586 18812	CER2 0603 X7R 50V 100N PM10 R
2766	4822 124 81021	100UF20% 16V
2767	2222 586 18812	CER2 0603 X7R 50V 100N PM10 R
2768	2020 552 94427	CER1 0603 NP0 50V 100P PM5 R
2774	2222 586 18812	CER2 0603 X7R 50V 100N PM10 R
2775	4822 124 11947	10UF 20% 16V
2776	4822 124 81021	100UF20% 16V
2778	2020 552 94427	CER1 0603 NP0 50V 100P PM5 R
2779	2020 552 94427	CER1 0603 NP0 50V 100P PM5 R
2780	2020 552 94427	CER1 0603 NP0 50V 100P PM5 R
2781	4822 126 14506	270PF 5% 50V 0603 NP0
2782	3198 016 36810	CER1 0603 NP0 25V 680P COL R
2783	4822 126 14506	270PF 5% 50V 0603 NP0
2785	4822 122 33753	150PF 5%NP0 50V
2786	4822 124 11947	10UF 20% 16V
2787	4822 122 33753	150PF 5%NP0 50V
2788	4822 124 11947	10UF 20% 16V
2789	5322 126 11578	1NF 10% X7R 50V 0603
2790	5322 126 11578	1NF 10% X7R 50V 0603

2791	4822 124 11947	10UF 20% 16V
2792	4822 122 33753	150PF 5%NP0 50V
2793	4822 124 11947	10UF 20% 16V
2794	4822 122 33753	150PF 5%NP0 50V
2796	3198 016 36810	CER1 0603 NP0 25V 680P COL R
2797	3198 016 36810	CER1 0603 NP0 25V 680P COL R
2798	4822 124 11947	10UF 20% 16V
2799	4822 122 33753	150PF 5%NP0 50V

RESISTORS

3601	4822 051 30472	4K70 5% 0,062W
3602	4822 050 22209	22R00 1% 0,6W
3603	4822 051 30472	4K70 5% 0,062W
3604	4822 051 30102	1K00 5% 0,062W
3605	4822 051 30102	1K00 5% 0,062W
3606	4822 051 30008	0R00 JUMPER
3607	4822 051 30472	4K70 5% 0,062W
3609	4822 051 30008	0R00 JUMPER
3610	4822 051 30472	4K70 5% 0,062W
3611	4822 051 30008	0R00 JUMPER
3612	4822 051 30008	0R00 JUMPER
3613	4822 051 30339	33R00 5% 0,062W
3614	4822 051 30333	33K00 5% 0,062W
3615	4822 051 30339	33R00 5% 0,062W
3616	4822 051 30222	2K20 5% 0,062W
3617	4822 050 24708	4R70 1% 0,6W
3618	4822 051 30109	10R00 5% 0,062W
3619	4822 117 13608	4,7R 5% 0603 0,0016W
3620	2322 702 60512	RST SM 0603 RC21 5K1 PM5 R
3621	2322 702 60512	RST SM 0603 RC21 5K1 PM5 R
3622	4822 051 30472	4K70 5% 0,062W
3623	4822 051 30183	18K00 5% 0,062W
3624	2322 702 60512	RST SM 0603 RC21 5K1 PM5 R
3625	4822 051 30472	4K70 5% 0,062W
3626	4822 051 30472	4K70 5% 0,062W
3627	4822 051 30332	3K30 5% 0,062W
3628	4822 051 30222	2K20 5% 0,062W
3629	2322 702 60512	RST SM 0603 RC21 5K1 PM5 R
3630	4822 051 30683	68K00 5% 0,062W
3631	4822 051 30332	3K30 5% 0,062W
3632	4822 051 30008	0R00 JUMPER
3633	4822 051 30759	75R00 5% 0,062W
3634	4822 051 30222	2K20 5% 0,062W
3635	4822 051 30339	33R00 5% 0,062W
3637	4822 051 30008	0R00 JUMPER

3639	4822 051 30008	0R00 JUMPER
3640	4822 051 30479	47R00 5% 0,062W
3641	4822 051 30479	47R00 5% 0,062W
3642	4822 051 30479	47R00 5% 0,062W
3643	4822 051 30472	4K70 5% 0,062W
3644	4822 051 30472	4K70 5% 0,062W
3645	4822 051 30479	47R00 5% 0,062W
3646	4822 051 30479	47R00 5% 0,062W
3647	4822 051 30479	47R00 5% 0,062W
3648	4822 051 30479	47R00 5% 0,062W
3649	4822 051 30151	150R00 5% 0,062W
3650	4822 051 30151	150R00 5% 0,062W
3651	4822 051 30479	47R00 5% 0,062W
3652	4822 051 30339	33R00 5% 0,062W
3653	4822 051 30339	33R00 5% 0,062W
3654	4822 051 30339	33R00 5% 0,062W
3655	4822 051 30339	33R00 5% 0,062W
3656	4822 051 30339	33R00 5% 0,062W
3657	5322 117 13062	390R 1% 0.063W 0603 RC22H
3658	4822 051 30339	33R00 5% 0,062W
3659	4822 051 30339	33R00 5% 0,062W
3660	4822 051 30681	680R00 5% 0,062W
3661	4822 051 30339	33R00 5% 0,062W
3662	4822 051 30339	33R00 5% 0,062W
3663	4822 051 30339	33R00 5% 0,062W
3664	4822 051 30339	33R00 5% 0,062W
3665	4822 051 30339	33R00 5% 0,062W
3666	4822 051 30339	33R00 5% 0,062W
3667	4822 051 30339	33R00 5% 0,062W
3668	4822 051 30339	33R00 5% 0,062W
3669	4822 051 30339	33R00 5% 0,062W
3670	4822 051 30339	33R00 5% 0,062W
3671	4822 051 30339	33R00 5% 0,062W
3672	4822 051 30339	33R00 5% 0,062W
3675	4822 051 30105	1M00 5% 0,062W
3676	4822 051 30332	3K30 5% 0,062W
3678	4822 051 30008	0R00 JUMPER
3679	4822 051 30339	33R00 5% 0,062W
3680	4822 051 30339	33R00 5% 0,062W
3681	4822 051 30222	2K20 5% 0,062W
3682	4822 051 30339	33R00 5% 0,062W
3683	4822 051 30339	33R00 5% 0,062W
3684	4822 051 30339	33R00 5% 0,062W
3687	4822 051 30109	10R00 5% 0,062W
3688	4822 051 30109	10R00 5% 0,062W

12. Spare parts list DVD616K/931

3689	4822 051 30008	0R00 JUMPER
3691	4822 051 30332	3K30 5% 0,062W
3692	4822 051 30151	150R00 5% 0,062W
3694	4822 051 30008	0R00 JUMPER
3695	4822 051 30222	2K20 5% 0,062W
3696	4822 051 30102	1K00 5% 0,062W
3697	4822 051 30102	1K00 5% 0,062W
3698	4822 051 30102	1K00 5% 0,062W
3699	4822 051 30102	1K00 5% 0,062W
3700	4822 051 30109	10R00 5% 0,062W
3701	4822 051 30109	10R00 5% 0,062W
3702	4822 051 30332	3K30 5% 0,062W
3703	4822 051 30472	4K70 5% 0,062W
3704	4822 051 30222	2K20 5% 0,062W
3705	4822 051 30759	75R00 5% 0,062W
3706	4822 051 30183	18K00 5% 0,062W
3707	4822 051 30759	75R00 5% 0,062W
3708	5322 117 13042	3K9 1% 0.063W 0603 RC22H
3709	4822 051 30121	120R00 5% 0,062W
3710	4822 051 30759	75R00 5% 0,062W
3711	4822 051 30759	75R00 5% 0,062W
3712	4822 051 30183	18K00 5% 0,062W
3713	4822 051 30183	18K00 5% 0,062W
3714	2322 702 60512	RST SM 0603 RC21 5K1 PM5 R
3715	4822 051 30472	4K70 5% 0,062W
3716	4822 051 30183	18K00 5% 0,062W
3717	2322 702 60512	RST SM 0603 RC21 5K1 PM5 R
3718	4822 051 30472	4K70 5% 0,062W
3719	4822 051 30183	18K00 5% 0,062W
3720	4822 051 30561	560R00 5% 0,062W
3721	4822 051 30561	560R00 5% 0,062W
3722	4822 051 30561	560R00 5% 0,062W
3723	4822 117 13632	100K 1% 0603 0.62W
3724	4822 117 13632	100K 1% 0603 0.62W
3725	4822 117 13632	100K 1% 0603 0.62W
3726	5322 117 13049	470R 1% 0.063W 0603 RC22H
3727	5322 117 13049	470R 1% 0.063W 0603 RC22H
3728	5322 117 13049	470R 1% 0.063W 0603 RC22H
3729	4822 051 30561	560R00 5% 0,062W
3730	4822 051 30561	560R00 5% 0,062W
3731	4822 051 30561	560R00 5% 0,062W
3732	4822 117 13632	100K 1% 0603 0.62W
3733	4822 117 13632	100K 1% 0603 0.62W
3734	4822 117 13632	100K 1% 0603 0.62W
3735	5322 117 13049	470R 1% 0.063W 0603 RC22H

3736	5322 117 13049	470R 1% 0.063W 0603 RC22H
3737	5322 117 13049	470R 1% 0.063W 0603 RC22H
3738	5322 117 13053	6K8 1% 0.063W 0603 RC22H
3739	3198 021 31060	RST SM 0603 10M PM5COL R
3740	4822 051 30222	2K20 5% 0,062W
3741	4822 117 12925	47K 1% 0.063W 0603
3742	4822 051 30331	330R00 5% 0,062W
3743	4822 051 30102	1K00 5% 0,062W
3744	4822 051 30102	1K00 5% 0,062W
3746	4822 117 12891	220K 1% ERJ3E
3747	5322 117 13049	470R 1% 0.063W 0603 RC22H
3748	5322 117 13053	6K8 1% 0.063W 0603 RC22H
3749	4822 051 30331	330R00 5% 0,062W
3750	2322 702 60919	RST SM 0603 RC21 91R PM5 R
3751	4822 051 30222	2K20 5% 0,062W
3752	4822 051 30102	1K00 5% 0,062W
3753	4822 051 30102	1K00 5% 0,062W
3754	4822 051 30103	10K00 5% 0,062W
3755	4822 117 12891	220K 1% ERJ3E
3755	5322 117 13049	470R 1% 0.063W 0603 RC22H
3757	4822 051 30689	68R 5% 0,063W 0603 RC21 RST SM
3758	4822 051 30332	3K30 5% 0,062W
3759	4822 051 30479	47R00 5% 0,062W
3760	4822 051 30339	33R00 5% 0,062W
3765	4822 051 30105	1M00 5% 0,062W
3766	4822 117 13498	2R2 5% 0,62W 0603
3767	4822 051 30102	1K00 5% 0,062W
3769	4822 051 30008	0R00 JUMPER
3771	4822 051 30008	0R00 JUMPER
3772	4822 051 30101	100R00 5% 0,062W
3773	4822 051 30101	100R00 5% 0,062W
3774	4822 051 30102	1K00 5% 0,062W
3775	4822 051 30102	1K00 5% 0,062W
3776	4822 051 30101	100R00 5% 0,062W
3778	4822 051 30109	10R00 5% 0,062W
3780	4822 051 30103	10K00 5% 0,062W
3782	4822 051 30339	33R00 5% 0,062W
3792	4822 051 30339	33R00 5% 0,062W
3795	4822 051 30339	33R00 5% 0,062W
3796	2120 108 94042	RST NETW SM RAC16 4X22R PM5 R
3797	2120 108 94042	RST NETW SM RAC16 4X22R PM5 R
3798	2120 108 94042	RST NETW SM RAC16 4X22R PM5 R
3799	2120 108 94042	RST NETW SM RAC16 4X22R PM5 R

COILS & CRYSTAL QUARTZ

5602	4822 157 53302	1UH
5604	4822 157 53302	1UH
5605	4822 157 11868	2.7UH 5%
5606	2422 535 94163	IND FXD LAL02 A 1U8 PM5 T
5607	4822 157 11868	2.7UH 5%
5608	4822 157 11868	2.7UH 5%
5609	4822 157 11868	2.7UH 5%
5704	3141 018 20410	IND SMD BEAD EMI A 4S2
5705	3141 018 20410	IND SMD BEAD EMI A 4S2
5707	3141 018 80600	CRYSTAL QUARTZ 27M FUNDAMENTAL
5710	8241 010 40420	LEADED FERRITE BEADS
5711	8241 010 40420	LEADED FERRITE BEADS

DIODES

6601	4822 130 30621	1N4148
6602	4822 130 30621	1N4148
6603	4822 130 30621	1N4148
6604	4822 130 30621	1N4148
6605	4822 130 30621	1N4148
6607	4822 130 30621	1N4148
6608	4822 130 30621	1N4148
6612	4822 130 30621	1N4148
6613	4822 130 30621	1N4148
6614	4822 130 30621	1N4148
6615	4822 130 30621	1N4148
6616	4822 130 30621	1N4148
6617	4822 130 30621	1N4148
6618	4822 130 30621	1N4148
6619	4822 130 30621	1N4148
6620	4822 130 30621	1N4148
6621	4822 130 30621	1N4148
6622	4822 130 30621	1N4148
6623	4822 130 30621	1N4148
6630	3141 018 51150	DIO REC HER203

TRANSISTORS & INTEGRATED CIRCUITS

7601	3141 018 51080	IC SM ES4428
7603	5322 209 11517	PC74HCU04T
7605	3141 017 40340	IC M29F400BT PROG DVD616K/931
7607	3141 018 51120	IC SM V6300
7610	3141 018 51310	IC SM CS4360
7612	3141 018 51320	IC SM CS5333
7613	3141 018 51100	IC SM CS4955
7620	4822 130 10845	GP1F32T

12. Spare parts list DVD616K/931

7621	8241 010 45120	IC SMD NJM4560
7622	8241 010 45120	IC SMD NJM4560
7623	8241 010 45120	IC SMD NJM4560
7624	5322 209 11517	PC74HCU04T
7626	3141 018 51280	IC SM 48LC4M16A2 (MICRON)
7702	3141 018 51290	IC REGULATOR LD1117V (ST)
7710	8241 010 05161	TRATBC548C
7723	8241 010 05161	TRATBC548C
7724	8241 010 05161	TRATBC548C
7726	8241 010 05161	TRATBC548C
7727	8241 010 05161	TRATBC548C
7728	8241 010 05161	TRATBC548C
7729	4822 130 42231	BC557C
7730	4822 130 42231	BC557C
7731	8241 010 05161	TRATBC548C
7732	4822 130 42231	BC557C
7733	4822 130 42231	BC557C
7734	8241 010 05161	TRATBC548C

FRONT BOARD 3141 018 02550

MISCELLANEOUS

1400	3141 010 50220	VFD 20-0704N (ZEC)
1402	2422 025 04858	CON BM V 9P F 2.50 DIPMATE B
1403	4822 265 30735	5 PINS
1404	2422 025 04858	CON BM V 9P F 2.50 DIPMATE B
1405	2422 025 04849	CON BMT 2P
1411	4822 276 13114	SWITCH, PUSH BUTTON
1412	4822 276 13114	SWITCH, PUSH BUTTON
1413	4822 276 13114	SWITCH, PUSH BUTTON
1418	2422 128 02939	SWI PUSH 2P 100MA 30V SPEC12 B
8401	3141 010 21030	CWAS 09PH/09OP 140 9 WH 26S
8403	3141 010 21110	CWAS 09EH/09OP 340 9 WH 26S
8404	3141 010 21050	CWAS 05XH/05OP 330 5 WH 26S
8405	3141 010 21130	CWAS 02XH/02OP 140 2 WH 26S
8406	3141 010 20250	CWAS 01 SPA/01 OP 110 BK 24F TO

CAPACITORS

2401	4822 126 12339	2,2NF10% Y5R
2402	2020 561 90365	CER2 TUB Y5V 50V 100N P8020 A
2403	4822 124 40433	47UF20% 25V
2404	2020 561 90365	CER2 TUB Y5V 50V 100N P8020 A
2405	2020 561 90365	CER2 TUB Y5V 50V 100N P8020 A

2406	4822 124 40433	47UF20% 25V
2407	2020 561 90365	CER2 TUB Y5V 50V 100N P8020 A

RESISTORS

3401	4822 116 52291	56K 5% 0,5W
3402	4822 050 21003	10K00 1% 0,6W
3403	4822 050 21003	10K00 1% 0,6W
3404	4822 050 21003	10K00 1% 0,6W
3405	4822 050 21002	1K00 1% 0,6W
3406	4822 050 21003	10K00 1% 0,6W
3407	4822 116 52195	47E 5% 0,5W
3409	4822 116 52283	4K7 5% 0,5W
3410	4822 116 52283	4K7 5% 0,5W
3411	4822 116 52283	4K7 5% 0,5W
3412	4822 116 83884	47K 5% 0,5W
3413	4822 116 52228	680E 5% 0,5W
3414	4822 052 10478	4R70 5% 0,33W
3415	4822 116 52175	100E 5% 0,5W
3416	4822 116 52175	100E 5% 0,5W
3417	4822 116 52175	100E 5% 0,5W
3418	4822 116 52176	10E 5% 0,5W
3420	3141 010 60220	POTM CAR LOG 10K V RK09D113 B
3421	3141 010 60220	POTM CAR LOG 10K V RK09D113 B

DIODES

6400	4822 130 30621	1N4148
6402	4822 130 31253	BZX79-C2V4
6403	4822 130 34398	BZX79-B24

TRANSISTORS & INTEGRATED CIRCUITS

7400	8241 010 40440	IC PT6312 QFP44
7401	8241 010 45320	HEG836-16GP

MIC BOARD 3141 018 02560

MISCELLANEOUS

1200	2422 025 06354	CON BM H 09P M 2.50 EH B
1201	3141 010 30280	SOC MPHONE H 1P F 6.3 SIL B
1202	3141 010 30280	SOC MPHONE H 1P F 6.3 SIL B

CAPACITORS

2201	2020 552 94427	CER1 0603 NP0 50V 100P PM5 R
2202	2020 552 94427	CER1 0603 NP0 50V 100P PM5 R

2203	2238 246 59858	CER2 0603 Y5V 10V 470N P8020 R
2204	2238 246 59858	CER2 0603 Y5V 10V 470N P8020 R
2205	4822 126 11785	CER1 0603 NP0 50V 47P PM5
2206	4822 124 23053	1UF20% 63V
2207	4822 124 41584	100UF 20% 10V
2208	2020 552 94427	CER1 0603 NP0 50V 100P PM5 R
2209	4822 124 23053	1UF20% 63V
2210	4822 126 11785	CER1 0603 NP0 50V 47P PM5
2211	2238 586 15623	CER2 0603 X7R 50V 1N PM10 R
2212	2238 586 15623	CER2 0603 X7R 50V 1N PM10 R
2214	4822 124 11947	10UF 20% 16V
2215	4822 124 11947	10UF 20% 16V
2216	2020 552 94427	CER1 0603 NP0 50V 100P PM5 R
2217	2020 552 94427	CER1 0603 NP0 50V 100P PM5 R
2218	2238 246 59858	CER2 0603 Y5V 10V 470N P8020 R
2219	2238 246 59858	CER2 0603 Y5V 10V 470N P8020 R
2220	4822 126 11785	CER1 0603 NP0 50V 47P PM5
2221	4822 124 41584	100UF 20% 10V
2222	4822 124 23053	1UF20% 63V
2223	2020 552 94427	CER1 0603 NP0 50V 100P PM5 R
2224	4822 124 23053	1UF20% 63V
2225	4822 126 11785	CER1 0603 NP0 50V 47P PM5

RESISTORS

3201	4822 117 11817	1K2 1% 1/16W
3202	4822 051 30222	2K20 5% 0,062W
3203	4822 051 30101	100R00 5% 0,062W
3204	4822 051 30563	56K00 5% 0,062W
3205	4822 051 30102	1K00 5% 0,062W
3206	4822 117 12902	8K2 1% 0.063W 0603
3207	4822 051 30472	4K70 5% 0,062W
3208	5322 117 13053	6K8 1% 0.063W 0603 RC22H
3209	4822 051 30102	1K00 5% 0,062W
3212	4822 117 13608	4,7R 5% 0603 0,0016W
3213	4822 117 13608	4,7R 5% 0603 0,0016W
3214	4822 117 13608	4,7R 5% 0603 0,0016W
3215	4822 117 13608	4,7R 5% 0603 0,0016W
3216	4822 117 11817	1K2 1% 1/16W
3217	4822 051 30222	2K20 5% 0,062W
3218	4822 051 30101	100R00 5% 0,062W
3219	4822 051 30102	1K00 5% 0,062W
3220	4822 117 12902	8K2 1% 0.063W 0603
3221	4822 051 30563	56K00 5% 0,062W
3222	4822 051 30472	4K70 5% 0,062W

12. Spare parts list DVD616K/931

3223	5322 117 13053	6K8 1% 0.063W 0603 RC22H
3224	4822 051 30102	1K00 5% 0,062W
4201	4822 051 30008	0R00 JUMPER
4202	4822 051 30008	0R00 JUMPER
4203	4822 051 30008	0R00 JUMPER
4204	4822 051 30008	0R00 JUMPER

COILS & CRYSTAL QUARTZ

5200	4822 157 11235	22UH LANO2TB220J PM5 A
5201	4822 157 11235	22UH LANO2TB220J PM5 A

DIODES

6201	4822 130 30621	1N4148
6202	4822 130 30621	1N4148

TRANSISTORS & INTEGRATED CIRCUITS

7201	8241 010 45120	IC SMD NJM4560
7202	8241 010 45120	IC SMD NJM4560
7203	5322 130 60159	BC846B
7204	5322 130 60159	BC846B

DVD Video Player
Owner's Manual



Let's make things better.



PHILIPS

General Information

Since it is usual for DVD movies to be released at different times in different regions of the world, all players have region codes and discs can have an optional region code. If you load a disc of a different region code to your player, you will see the region code notice on the screen. The disc will not playback, and should be unloaded.



The region code for Singapore is 3.



The region code for Australia is 4.

Manufactured under license from Dolby Laboratories. "Dolby", "Pro Logic" and the double-D symbol are trademarks of Dolby Laboratories.

CAUTION
(WARNING LOCATION: ON THE BACKPLATE OF SET)
NEVER MAKE OR CHANGE CONNECTIONS WITH THE POWER SWITCHED ON.

For Customer Use:

Read carefully the information located at the rear panel of your DVD VIDEO player and enter below the Serial No. Retain this information for future reference.

Model No. DVD VIDEO
Serial No. _____

Laser safety

This unit employs a laser. Due to possible eye injury, only a qualified service person should remove the cover or attempt to service this device.

USE OF CONTROLS OR ADJUSTMENTS OR PERFORMANCE OF PROCEDURES OTHER THAN THOSE SPECIFIED HEREIN MAY RESULT IN HAZARDOUS RADIATION EXPOSURE.

LASER

Type	Semiconductor laser GaAlAs
Wave length	650 nm (DVD) 780 nm (VCD/CD)
Output Power	7 mW (DVD) 10 mW (VCD/CD)
Beam divergence	60 degree

CAUTION
VISIBLE AND INVISIBLE LASER RADIATION
WHEN OPEN AVOID EXPOSURE TO BEAM

Important Note:
Due to the numerous versions of new CD-Audio copy protection or enhanced CD-Audio protection recently available on certain discs, Philips is unable to guarantee that this DVD player is fully compatible with such new discs. Should you have difficulty playing any such CD-Audio discs, kindly refer them to your CD-Audio disc retailer.



Contents

Introduction

Environmental Information	4
Supplied accessories	4
Safety Information	4
Symbols Used in this booklet	4

Functional overview

Front panel	5
Rear panel	5
Remote control	6

Preparation

Basic Connection	7
Connecting to a TV	7
Connecting to Optional Equipment	8
Connecting to a Audio System	8
Inserting batteries into the Remote Control ..	9
Using the Remote control	9
NTSC/PAL Conversion	9
Switching On	10

Operation

Basic Playback	10
General Operation	10
Video control during playback	10
Audio control during playback	11
Repeat	11
Repeat A-B	11
5 disc Resume	11
OSD (On-Screen Display)	12
Title Selection	12
Chapter Selection	12
Time Search	12
Zoom	12
Special DVD Features	12
Playing a title	12
Playing a chapter	12
Camera Angle	12
Changing the audio language	12
Subtitles	12
Special VCD & SVCD Features	13
Playback Control (PBC)	13
Preview function	13

Picture CD & MP3 CD Playback

Function introduction.....	14
Auto playback	14
Selection playback	14
Preview playback	14
Playback with multi-angles	14
Playback Speed Control	14
Zoom picture	14

KARAOKE

General operation	15
General setup	15
Karaoke learning and language learning function	15

Setup menu

Basic operation	16
General setup menu	16
Disc lock	16
VFD DIM.....	16
Program	16
OSD language	17
Screen saver	17
Speaker setup page	17
DOWNMIX mode	17
D.R.C	17

SPDIF setup	18
SPDIF OUT setup	18
LPCM 96K mode	18
Video Output setup	19
Video output	19
TV display	19
TV type	19
Smart Picture	20
Video Mode	20
Personal Picture Setting	20
Preferences setup	21
Audio language	21
Subtitle language	21
Disc menu language	21
Password	21
Parental control	22
Default setup.....	22
Smart Navigator	22

Specifications

Specifications	23
----------------------	----

Maintenance

Maintenance	23
-------------------	----

Troubleshooting

Troubleshooting	24
-----------------------	----





Introduction

Thank you for purchasing this Philips DVD player. This Owner's Manual explains the basic operation of this DVD player.

Environmental Information

All unnecessary packaging has been omitted. We have tried to make the packaging easy to separate into three materials: cardboard (box), polystyrene foam (buffer) and polyethylene (bags, protective foam sheet).

Your DVD player consists of materials which can be recycled and reused if disassembled by a specialized company. Please observe the local regulations regarding the disposal of packaging materials, exhausted batteries and old equipment.

Supplied accessories

- DVD-Video player
- Remote control with Batteries
- Audio cable
- Video cable
- Owner's Manual

Safety Information





- Before operating the DVD player; check that the operating voltage indicated on the typeplate is identical with the voltage of your local power supply. If not, please consult your dealer.
- Place the DVD player on a flat, hard and stable surface.
- There must be sufficient room in front of the player for the drawer to be opened.
- In cabinet, allow about 2.5cm (1 inch) of free space all around the player for adequate ventilation.
- Do not expose your player to extreme of temperature or humidity.
- If the DVD player is brought directly from a cold to a warm location, or is placed in a very damp

room, moisture may condense on the lens of the disc unit inside the DVD player. Should this occur; the DVD player would not operate normally. Leave the power on for about one hour with no disc in the DVD player until normal playback is possible.

- The mechanical parts of the set contain self-lubricating bearings and must not be oiled or lubricated.
- When the DVD player is switched to Standby mode, it is still consuming some power: To disconnect the system from the power supply completely, remove the AC power plug from the wall socket.

Symbols Used in this Booklet

The below symbols appear in some headings and notes with the following meanings:

	- Description refers to playback of DVD-video discs
	- Description refers to playback of Video CDs
	- Description refers to playback of Audio CDs
	- Description refers to playback of SuperVCDs

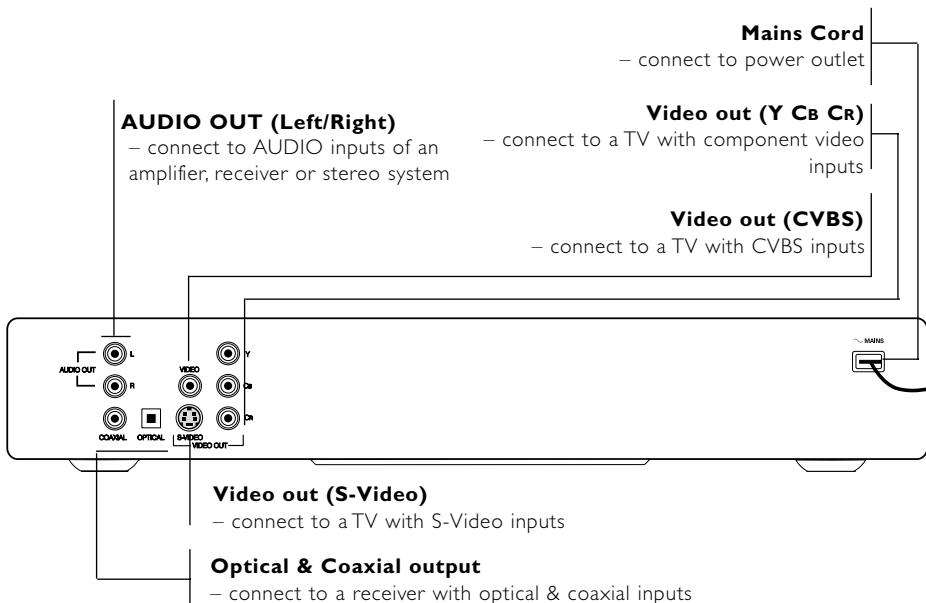
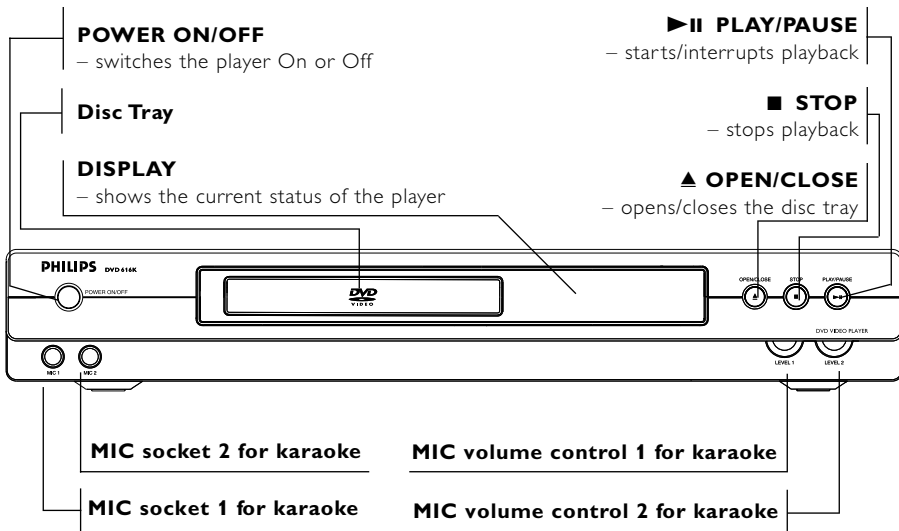
Helpful Hints!

- **Some DVD video discs require specific or allow only limited functions during playback.**



Functional Overview

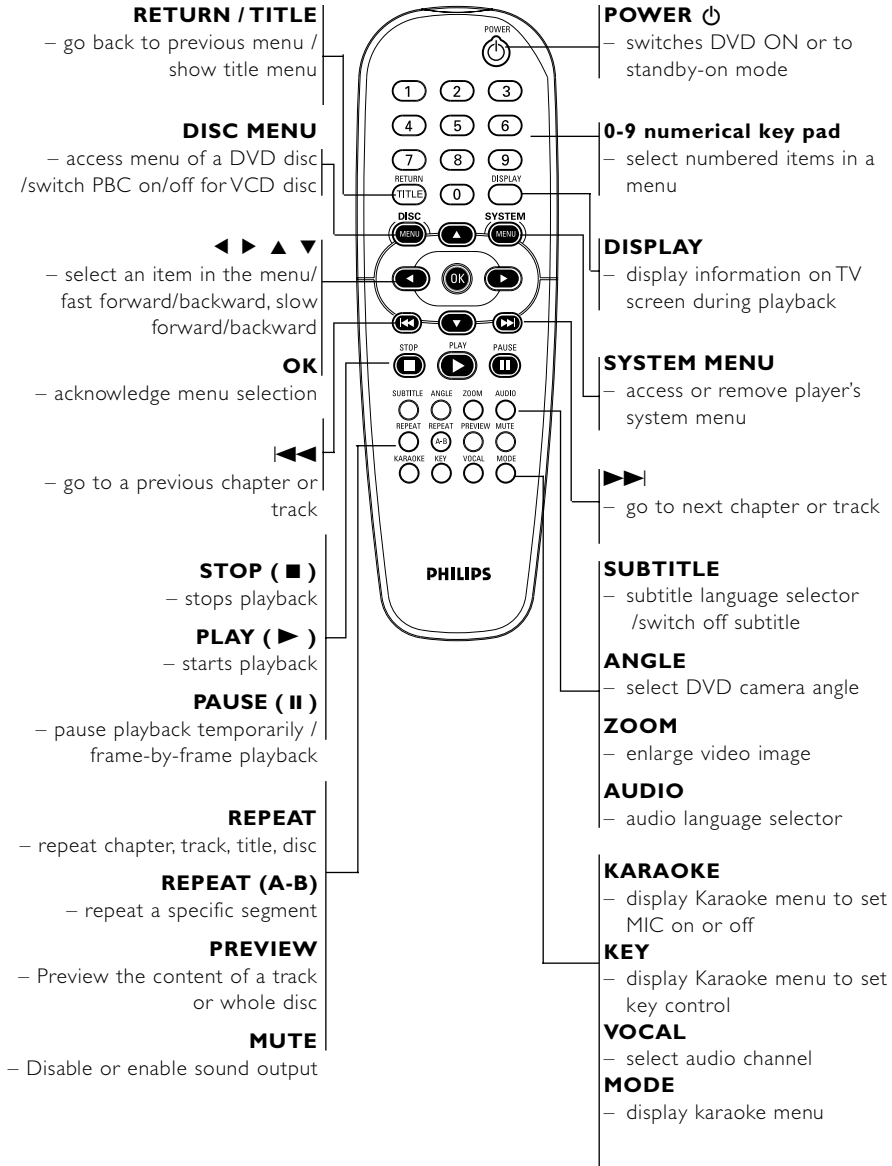
Front and Rear Panels



Caution: Do not touch the inner pins of the jacks on the rear panel. Electrostatic discharge may cause permanent damage to the unit.

Functional Overview

Remote Control



Note:
Press digit "1" for about 2 seconds to OPEN or CLOSE disc tray.



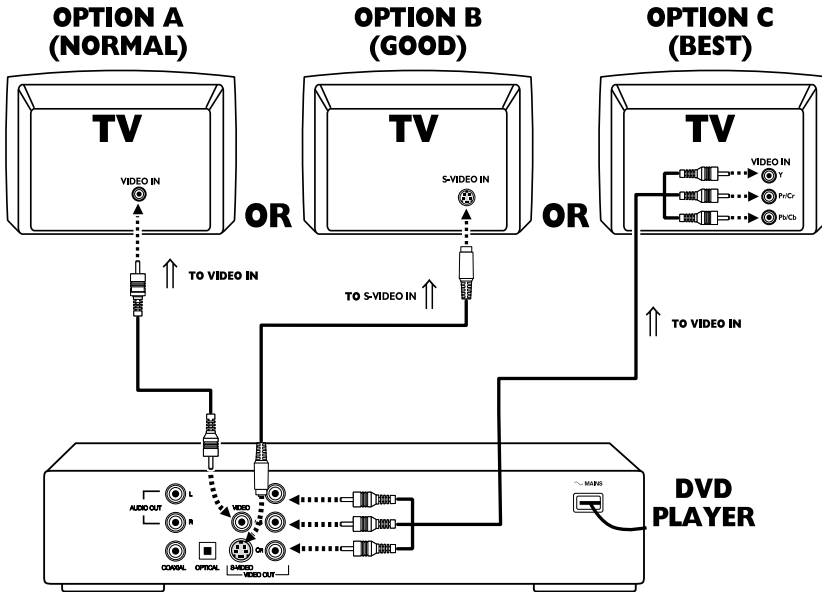
Preparation

Basic Connections

- Please refer to the instruction books of your TV, VCR, Stereo System or other devices as necessary to make the best connections.
- Make one of the following connections, depending on the capabilities of your existing equipment.

The following guidelines are options for the best picture and sound quality available on your DVD player.

Video Connections



Connecting to a TV

If your TV has a CVBS Video input connector,

- Connect the CVBS VIDEO OUT on the DVD player to the CVBS VIDEO IN (cable supplied).

If your TV has a S-Video input connector,

- Connect the S-Video OUT on the DVD player to the S-Video IN (not supplied).

If your TV has a Component video (Y/Cb/CR) input connector,

- Connect the Y/Cb/CR VIDEO OUT on the DVD player to the corresponding connector on the TV using the component video cable (not supplied).

Caution: Do not connect the component video and S-Video output at the same time as only one can be active at any time (refer to chapter "Video Out Setup").

Warning!

- Never make or change connections with the power switched on.
- Connect the DVD player directly to your TV, instead of eg. a VCR, to avoid distortion because DVD video discs are copy protected.
- Do not connect the DVD player AUDIO OUT to PHONO IN of your player.



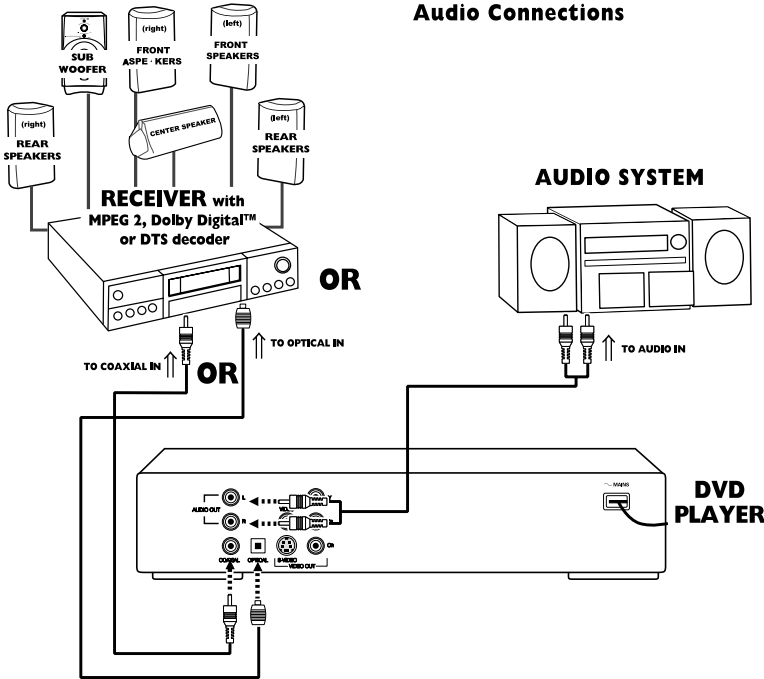
Preparation

Sound

- 1 Digital audio connections provide the clearest sound. Connect one of the DVD player's DIGITAL AUDIO OUT (COAXIAL or OPTICAL) to your amplifier or receiver.
- 2 If digital connections are not possible, connect the DVD player's red and white AUDIO OUT to your amplifier, receiver, stereo or TV.

Connecting to a Audio System

- 1 You can also listen to the sound of audio CDs and DVD video discs by connecting to an optional stereo system.
- 2 Connect the Left and Right AUDIO OUT on the DVD player to the Left and Right AUDIO IN on the stereo system.



Connecting to Optional Equipment

- A digital component with a built-in MPEG 2, Dolby Digital™ or DTS decoder allows you to enjoy the surround sound while producing the effect of being in a movie theater or a concert hall.

If your receiver has a Dolby Digital™, MPEG 2 or DTS decoder, Connect to A/V receiver with digital coaxial or optical cable

- Connect the DIGITAL COAXIAL AUDIO OUT of the DVD player to the corresponding input on the receiver using the normal audio or video cable supplied.

Notes:

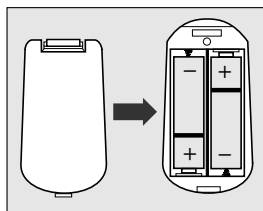
- If the audio format of the digital output does not match the capabilities of your receiver, the receiver will produce a strong, distorted sound or no sound at all.
- To set the audio format of the current DVD in the Setup Menu, refer to the chapter [Setup Menu].



Preparation

Inserting batteries into the Remote Control

- 1 Open the battery cover.
- 2 Insert batteries with the correct polarity as indicated by the + and - symbols inside the battery compartment.
- 3 Close the cover.



Notes:

- AUTO can only be selected when using a TV that has both the NTSC and PAL systems.
- Slight picture distortions may occur due to this conversion. This is normal. Thus, the AUTO format is most suitable for the best picture quality.

CAUTION!

- Remove batteries if they are exhausted or not to be used for a long time.
- Do not use old and new or different types of batteries in combination.
- Batteries contain chemical substances, so they should be disposed off properly and kept away from children.

Using the Remote Control

- Direct the remote control at the remote sensor of the DVD player.
- Do not drop or give the remote control a shock.
- Do not leave the remote control near extremely hot or humid place.
- Do not spill water or put anything wet on the remote control.

NTSC/PAL Conversion

This player is equipped with a NTSC/PAL conversion feature to convert the video output of the disc to match your TV system. The conversions supported are as below:

Disc Type	Format	Output format		
		Selected mode		
		NTSC	PAL	AUTO
DVD	NTSC	NTSC	PAL	NTSC
	PAL	NTSC	PAL	PAL
VCD	NTSC	NTSC	PAL	NTSC
	PAL	NTSC	PAL	PAL





Preparation

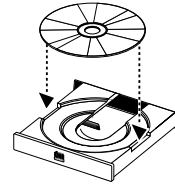
Switching On

- 1 Switch on the TV and DVD player.
- 2 Set the TV to the correct Video IN channel. (eg. EXT1, EXT2, AV1, AV2, AUDIO/VIDEO, etc. Please refer to your TV owner's manual for detail)
→ The player display lights and the default screen appears on the TV.
- 3 If you are using an external equipment (eg. audio system or receiver), turn them on and select the appropriate input source that was used to connect to the DVD player output. Refer to the equipment owner's manual for detail.

Operation

Basic Playback

- 1 Press POWER ON/OFF on the front panel.
- 2 Press OPEN/CLOSE on the front panel to open disc loading tray.
- 3 Place the chosen disc in the tray, with the label facing up.
- 4 Press OPEN/CLOSE again to close the tray.
→ After recognizing this disc the player begin to playback automatically.



Notes:

- DVDs may have a region code. Your player will not play discs that have a region code different from the region code of your player.
- If 'Disc Lock' is set to ON and the disc inserted is not authorized, the 4-digit code must be entered and/or the disc must be authorized (see 'Disc Lock').

General operation

Video control during playback

STOP DVD VCD CD SVCD

- 1 You can resume the play from the point at which you stopped last time, if you just press the STOP key once. It will start from the beginning if you press the STOP key twice to stop playback.

PAUSE/STEP DVD VCD CD SVCD

- 1 To get a still picture, press PAUSE key during playback.
- 2 To step forward to the next frame picture, press PAUSE key again.
- 3 To resume normal playback, press PLAY.

SEARCH DVD VCD CD SVCD

- 1 To search the contents in fast speed, press the ► or ◀ for fast forward/backward searching.
- 2 Press the ◀ or ► again to increase the speed for searching.
- 3 Press PLAY to return to the normal playback.





Operation

Slow Motion



- 1 To get slow motion effect during playback, press ▲ or ▼.
- 2 Press ▲ or ▼ again to get different playback forward/backward speed.
- 3 Press PLAY to return to the normal play back.



- 1 To get slow motion effect during playback, press ▲.
- 2 Press ▲ again to get different playback forward speed.
- 3 Press the PLAY key to return to the normal play back.

NOTE:

-The SLOW BACKWARD function is not available for the Super VCD/VCD/CD disc.

Audio control during playback



- 1 Press the MUTE key to disable the sound output.
- 2 Press the MUTE key again to remove the mute.

SURROUND SOUND



The DVD player can reproduce virtual surround sound effect.

- 1 Press the Display key on the remote control.
- 2 Press ◀ ▶ to highlight 3D option.
- 3 Press ▲ ▼ to switch it on or off.

Audio channel selection



- 1 SVCD has two stereo audio channels which are used for playing karaoke or the audio language selection. (for instance, you can choose one channel for only the music background of the song while you play the karaoke.)
- 2 Press the AUDIO key on the remote control to select the audio channel you want.
- 3 VCD has only one stereo audio channel, you can select mono left audio channel or mono right audio channel by pressing the AUDIO key on the remote control.

Repeat



Repeat chapter/title/disc

- To repeat the current chapter, press REPEAT.
- To repeat the current title, press REPEAT a second time.
- To exit Repeat mode, press REPEAT again.



Repeat track/disc

- To repeat the current track, press REPEAT.
- To repeat the entire disc, press REPEAT a second time.
- To exit Repeat mode, press REPEAT again.



DVD-Video Discs: repeat a sequence in a title

Video and Audio CDs: repeat a sequence in a track

- 1 Press REPEAT A-B at your chosen starting point.
- 2 Press REPEAT A-B again at your chosen end point.
- 3 To exit the sequence, press REPEAT A-B.

5 Disc Resume



This player can resume the playback of last 5 discs, which should be unload at stop mode.

- 1 Load one disc, which is one of last 5 discs.
- 2 Press PLAY when DVD player is recognizing the disc. if the information of this disc has been stored in the memory of DVD player; it will be played back from the point you stopped last time.





Operation

OSD (On-Screen Display)

DVD **VCD** **SVCD**

This function will provide some information about your playing disc on the screen.

- Press DISPLAY key on the remote control.

Title Selection

- 1 Press ◀▶ to highlight option Title number.
- 2 Press ▲▼ to change the title number.
→ DVD player will playback selected title.

Chapter Selection

- 1 Press ◀▶ to highlight option chapter number.
- 2 Press ▲▼ to change the chapter number.
→ DVD player will playback selected chapter.

Time Search

- Press ◀▶ to highlight time display area.
For DVD discs:
→ CC means total time has been played in current chapter. CR means the remainder time of current chapter. TC means total time has been played in current title. TR means the remainder time of current title.
For SuperVCD or VCD disc
→ DC means the time has been played back of the disc. DR means the time is remainder of the disc. TC means the time has been played back of current track. TR means the time is remainder of current track.
- Press the ◀▶ keys to highlight the item TIME and you can play from any point of the disc.
→ Enter hours, minutes and seconds from left to right in the time edit box using remote control numerical key pad.(e.g. 0:34:27)
→ Press the OK key to confirm it.

Zoom **DVD** **VCD** **SVCD**

The Zoom function allows you to enlarge the video image.

- 1 Press the ZOOM key to activate the function.
→ Use the ▲▼◀▶ key to view the rest part of the zoomed picture.
→ Playback will continue.
- 2 Press the ZOOM key again to return to the original size.

NOTE: This function is NOT available for PAL DVD discs or some DVD discs.

Special DVD Features **DVD**

Playing a title

A DVD disc may have one or more titles. This depends on the content (a movie, video clips, a drama series, etc) on the disc.

- After you load a disc, information about the content shows on the screen waiting for your selection. Likewise, you can press the TITLE key on the remote control to turn back to the title menu during playback.
→ Press the appropriate numerical key or ▲▼◀▶ keys on the remote control to highlight your selection.
→ Press the OK key to confirm it.

Playing a chapter **DVD**

When you have selected a title, it may include one or more chapters.

- To watch another chapter during playback, press DISC MENU key to turn back to the chapter menu.(If disc has chapter menu).
→ Press the appropriate numerical key or ▲▼◀▶ keys on the remote control to highlight your selection.
→ Press the OK key to confirm.
→ After a chapter has been selected, you also can press the ◀◀ or ▶▶ key to make a change.

Camera Angle

Some discs contain scenes **DVD** which have been shot simultaneously from various angles.

This DVD player allows you to select the desired camera angle.

- Press the ANGLE key on your remote control.
NOTE: The function is available for the DVD discs which have recorded several angles movie.

Changing the audio language **DVD**

- Press AUDIO repeatedly to select the different languages.
NOTE: The function is activated, only if the DVD disc is recorded with multi-languages audio tracks.

Subtitles **DVD** **SVCD**

- Press SUBTITLE repeatedly to select the different subtitles.
- Press SUBTITLE for about 2 seconds to switch subtitle on or off.
NOTE: The function is activated, only if the DVD disc or SuperVCD disc is recorded with multi-subtitles.





Operation

Special VCD & SVCD Features Playback Control (PBC)

PBC function allows you to enter the index menu which is used to select a track after loading the SVCD or VCD disc.

If you want to activate the function,

- 1 Press the DISC MENU key on the remote control to set the PBC On.
→ Pay attention to the hint on the screen.
- 2 Use the ◀◀ or ▶▶ key to select your chosen.
→ If the items of the index menus are numbered, press the appropriate numerical key on the remote control.
→ press the OK key to confirm.
- 3 Press the RETURN key to enter the index menu during the play back.

NOTE:

- The content of the index menu depends on the disc. Please refer to the disc's instruction for detail.
- If the disc doesn't include the PBC information, this function will have no effect.

If you want to skip the index menu and playback directly from the beginning,

- 1 press the DISC MENU key on the remote control to switch off the function.
→ For the karaoke discs, even if PBC function is off, you still can use the ◀◀ or ▶▶ key to select the track you like.

Preview function

At STOP mode, press the PREVIEW key to enter previewing menu.



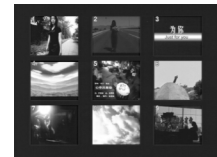
1 Disc introduction

Select this function, DVD player will play back every track for few seconds with full screen to obtain summary of the content of the disc.

- Press the numerical key 1.
- Press OK key to confirm.
- Press STOP key to quit previewing.

2 Disc preview

This function will minify the picture of one track enough to display every nine of these tracks on the full screen which will help you to preview a disc.



- Press the numerical key 2.
- Press OK key to confirm.
- Select other tracks beyond this page by pressing the ◀◀ or ▶▶ key.
- Press the numerical keys to choose the preferred track.
- Press the OK key to confirm.

3 Track preview

This function is used to divided a single track into nine parts and display them on the full screen which will help you to preview the selected track.



- Press the numerical key 3.
- Press the OK key to confirm.
- Preview other tracks, press the ◀◀ or ▶▶ key.
- Press numerical key to choose the starting point.
- Press the OK key to playback from starting point.

4 Quit preview function

- Press the numerical key 4.
- Press the OK key to exit.



Picture CD & MP3 CD Playback

Function introduction

This player can playback JPEG format pictures and MP3 files as well as being specially compatible with Kodak Photo CD.

Picture CD containing JPEG format pictures with file extensions of 'JPG'. The CD can be burned on every computer, and pictures may be from digital camera or scanner. If the customers prefer, they may make this CD become a Digital Album.

For playing this Digital Album (picture CD) conveniently, our DVD player can

- Auto playback of pictures on disc one at a time.
- Display a preferred picture.
- Zoom the picture.
- Rotate the picture.
- Flip the picture vertically or horizontally.
- Playback speed control.
- Album and track selection.
- Repeat (disc / album / track / picture).
- Nested directory levels supported to 8 levels.
- Maximum album numbers possible is 32.
- Maximum MP3 Tracks Programmable is 96.
- Maximum Number of Tracks is 999.

Basic playback

- 1 Without any disc inserted and "NO DISC" is shown on set, press the SYSTEM MENU key to open the setup menu.
- 2 Press the ▲ ▼ key to highlight the PREFERENCE item.
- 3 Press OK to open the PREFERENCE menu.
- 4 Press the ▲ ▼ to highlight the SMART NAV menu.
- 5 Press OK to open the menu.
- 6 Press the ► key to enter the menu.
- 7 Press the ▲ ▼ key to highlight the NO MENU or WITH MENU item.
 - NO MENU: playback all images in sequence automatically, and MP3 musics will be played prior to pictures.
 - WITH MENU: playback images in the selected folder.
- 8 Press the OK key to confirm your selection.

Special functions during playback:

Auto playback

After you open one picture, the player can playback each file in sequence automatically.

Selection playback

- 1 Press the numerical key to select your favourite file directly.
- 2 In the JPEG playback menu, press the ◀ ▶ ▲ ▼ key to select the folder you want and press the OK to open it.
- 3 Press the ◀ ▶ ▲ ▼ key to highlight your favourite file and press the OK key to confirm.

Preview function

- 1 Press the PREVIEW key at the STOP mode. You will see nine pieces of minified pictures on the screen.
- 2 Press the ►► or ◀◀ key to display the next or the previous nine-picture-preview.
- 3 Press the ◀ ▶ ▲ ▼ key to highlight one of them and press the OK to display.

Playback with multi-angles

When displaying one picture on TV screen

- Press the ◀ ▶ ▲ key to get different effects.
 - ▲ key: Flip the picture vertically;
 - ▼ key: Flip the picture horizontally.
 - ◀ key: rotate the picture anti-clockwise.

Playback Speed Control

- Press the ► key to adjust the playback speed.

Zoom picture

- Press the ZOOM key to display the picture with different scales.
- Press the ◀ ▶ ▲ ▼ key to view the rest of the zoomed picture.

Note:

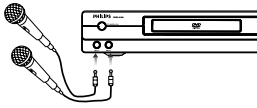
If you want to switch between MP3 musics and pictures during automatical playback, please press a valid number as shown on the TV screen after the DVD player indexed the MP3 musics and pictures found in the loaded disc.



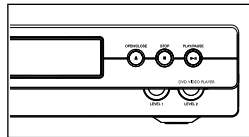


KARAOKE

General operation of karaoke function



- 1 Connect microphone to MIC1 or MIC2 or to both sockets. Be sure the player has been properly connected to your TV or audio system.
- 2 Press KARAOKE on the remote control to display karaoke menu.
→ karaoke menu appears on TV screen, and the option 'MIC' is highlighted.
● Press ▲ ▼ to switch on karaoke function.
- 3 Load a karaoke disc and press PLAY to playback.
- 4 Turn on the microphone which is connected with the DVD player and you can enjoy the Karaoke immediatly.



→ To adjust the volume of microphone, turn the knob LEVEL1 or LEVEL2 on the right of front panel.

- 5 Press KARAOKE on the remote control to display karaoke menu.
→ karaoke menu appears on TV screen, and the option 'MIC' is highlighted.
● Press ▲ ▼ to switch off karaoke function.

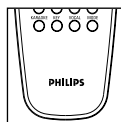
NOTE: Please set the option DOWNMIX to LT/RT, VSS or STEREO before switching on Karaoke function.

General setup of karaoke function

Press MODE to display karaoke menu (Karaoke menu will disappear if you do not press any key in a minute).

KEY CONTROL

- 1 Press ◀ ▶ to highlight the option KEY.
- 2 Press ▲ ▼ to adjust the pitch to adopt your voice.



Volume

- 1 Press ◀ ▶ to highlight the option VOLUME.
- 2 Press ▲ ▼ to adjust the VOLUME to adopt your voice.

ECHO

- 1 Press ◀ ▶ to highlight the option ECHO.
- 2 Press ▲ ▼ to adjust the echo level.

Audio channels option

With this function, you can choose audio channels during karaoke is available.

- 1 Press VOCAL on the remote control to choose STEREO, LEFT VOCAL, RIGHT VOCAL, MONO RIGHT or MONO LEFT .
→ MONO RIGHT & MONO LEFT options can fade out the original vocal.

Karaoke learning and language learning function VCD SVCD

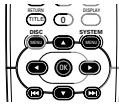
- 1 Press MODE to display karaoke menu.
→ Make sure you have set MIC on.
- 2 Press ◀ ▶ to highlight RECORD OFF.
- 3 Press ▲ to set RECORD on.
- 4 Press ▲ again to start recording from the point you perfor.
→ DVD player will record your voice and original karaoke music.
- 5 Press ▲ again to end recording.
→ DVD player will playback the recording three times in total to let you make a comparasion.
- 6 Follow the instruction of step4 to step5 to record other sequence.
- 7 Press ▼ to quit Karaoke learning and language learning function.

Note: Keeping highlight cursor on RECORD option will allow you to record by pressing ▲ , and ▼ to quit. otherwise pressing ▲ or ▼ will get slow motion effect.

Setup Menu

Basic operations

- 1 Press SYSTEM MENU in the STOP mode to enter the Setup Menu.
- 2 Press the OK key to open the next level submenu or confirm your selection.
- 3 Press the ◀▶ keys to enter the submenu or return to the previous menu.
- 4 Press the ▲▼ keys to highlight the preferred menu.
- 5 Press SYSTEM MENU to quit the setup menu.
→ When you quit the setup menu, the settings will be stored in the player's memory even if the player is switched to power off.



General setup menu

Some settings are needed in this menu, they are: DISC LOCK, PROGRAM, VFD DIM, OSD LANGUAGE and SCREEN SAVER.

Follow the steps below:

- 1 Press the SYSTEM MENU key to enter the setup menu.
- 2 Press the ▲▼ keys to choose the GENERAL SETUP menu.
- 3 Press the OK key to confirm selection.

Disc lock

When the disc is locked, the player will store its typical code into the memory for the future identification. For the next playback, the DVD player will prompt to enter the password.

- 1 Press the ▲▼ keys to highlight the DISC LOCK item in the GENERAL SETUP menu.
- 2 Press the OK key.
- 3 Enter the submenu by pressing the ▶ key.
 - LOCK: Lock the disc being played.
 - UNLOCK: unlock the disc.
- 4 Press the ◀ key to return to the GENERAL SETUP menu.



NOTE:

1. When playback a locked disc, the DVD player will prompt to enter your password or 3308 (default) password.
2. To change the password, refer to the option PASSWORD in the PREFERENCE menu.

Program (not available for DVD discs)

- 1 To choose the PROGRAM item, press the ▲▼ keys.
- 2 Press the ▶ key to move the cursor to the field of the submenu to choose the item ON.
→ ON: Enter the PROGRAM item.
- 3 Press OK to enter the program page.



Input your favorite track

- 1 Enter a valid track number by pressing the numerical keys.
- 2 Press the ◀▶▲▼ keys to move the cursor to the next selected position.
- 3 Repeat the steps above to enter another track number until the whole program is completed.

Exclude a track

- 1 Press the ◀▶▲▼ keys to move the cursor to track you want to exclude.
- 2 Input an invalid track number to cancel this track.



Cancel all tracks

- 1 Press the ◀▶▲▼ keys to move the cursor to the CLEAR button.
- 2 Press OK, all tracks will be cancelled.
- 3 Now you can input your favorite tracks again. Press ◀◀ or ▶▶ to program more tracks.

Playback tracks

When programming is completed,

- 1 Press the ◀▶▲▼ keys to move the cursor to the PROG button.
- 2 Press OK.
→ DVD player will playback the selected program under the programmed sequence.

Stop the program playback

At the PROGRAM page, when programming is completed,

- 1 Press the ◀▶▲▼ keys to move the cursor to the QUIT button.
- 2 Press the OK key to quit this menu or
- Press the STOP key twice to exit.

VFD Dim

This function is used to adjust the brightness of VFD on the front panel.

- 1 Press the ▲▼ keys to highlight VFD DIM in the GENERAL SETUP menu.
- 2 Press OK.
- 3 Enter the submenu by pressing the ▶ key.



Setup Menu

- 4 Move the cursor by pressing the ▲▼ keys to highlight the selected item.
 - 100: make the VFD brighter than normal.
 - 70: standard brightness
 - 40: make the VFD to dim mode.
 - OFF: switch off the VFD display.
- 5 Press OK to confirm.
- 6 Press the ◀ key to return to the GENERAL SETUP menu.

OSD language

There are two options available for information display on TV screen.

- 1 Press the ▲▼ keys to highlight OSD LANG in the GENERAL SETUP menu.
- 2 Enter the submenu by pressing the ▶ key.
- 3 Move the cursor by pressing the ▲▼ keys to highlight the selected item.
 - ENGLISH: OSD information will be displayed in English.
 - CHINESE: OSD information will be displayed in Chinese.
- 4 Press the OK key to confirm.
- 5 Press the ◀ key to return to the GENERAL SETUP menu.



Screen saver

This function is used to turn on or off the screen saver.

- 1 Press the ▲▼ keys to highlight SCR SAVER in the GENERAL SETUP menu.
- 2 Enter its submenu by pressing the ▶ key.
- 3 Move the cursor by pressing the ▲▼ keys to highlight the selected item.
 - ON: At STOP mode, if nothing is happened within 5~6 minutes, screen saver will turn on.
 - OFF: Screen saver is disable.
- 4 Press OK to confirm.
- 5 Press the ◀ key to return to the GENERAL SETUP menu.

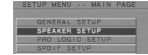


Speaker setup page

This menu contains setup options of your speaker system, such as DOWNMIX, D.R.C.(Dynamic Range Compression),

which gives the setup system to reproduce high quality surround sound.

- 1 Press SYSTEM MENU.
- 2 Press the ▲▼ keys to highlight the SPEAKER SETUP item.
- 3 Press OK to confirm.



DOWNMIX mode

- 1 Press the ▲▼ keys to highlight the DOWNMIX item.
- 2 Enter the submenu by pressing the ▶ key.
- 3 Move the cursor by pressing the ▲▼ keys to highlight the selected item.
 - LT/RT
 - This item will be used only if your DVD player is connected to a Dolby Prologic decoder. Meanwhile, the DVD player can send the output of Dolby Prologic signals.
 - STEREO
 - This item will help to downmix the signal of Dolby Digital into stereo signals directly output from L/R port.
- 4 Press OK.
- 5 Press the ◀ key and return to the SPEAKER SETUP menu.



D.R.C. (Dynamic Range Compression)

DVD player will compress dynamic range of sound effect output, when you do not want to disturb your neighbours and your family during midnight.

- 1 Press the ▲▼ keys to highlight D.R.C.,
- 2 Enter the submenu by pressing the ▶ key.
- 3 Move the cursor by pressing the ▲▼ keys to highlight the selected item.
 - ON: Enable D.R.C.
 - OFF: Disable D.R.C.
- 4 Press OK.
- 5 Press the ◀ key to return to the SPEAKER SETUP menu.

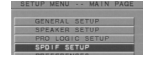




Setup Menu

SPDIF setup

In this menu, you can set up digital audio format outputting from coaxial and optical terminals.



- 1 Press SYSTEM MENU to enter the SETUP menu.
- 2 Press the ▲▼ keys to choose the SPDIF SETUP menu.
- 3 Press OK.

NOTE:

SPDIF is the abbreviation of Sony Philips Digital Interface which is a protocol of digital data transferring.

SPDIF OUT setup

- 1 Press the ▲▼ keys to highlight the SPDIF OUT item.
- 2 Press OK to open its submenu.
- 3 Enter its submenu by pressing the ► key.
- 4 Press the ▲▼ keys to highlight the selected item.
 - RAW: Original digital signals output.
 - PCM: Convert to PCM signals to output.
- 5 Press OK.
- 6 Press the ◀ key and return to the SPDIF SETUP menu.



LPCM 96K mode

In this menu, you can set up sampling rate to decode LPCM audio.

- 1 Press the ▲▼ keys to highlight the LPCM 96K item.
- 2 Press OK to open its submenu.
- 3 Enter its submenu by pressing the ► key.
- 4 Move the cursor by pressing the ▲▼ keys to highlight the selected item.
 - ON: Detect the loading disc for appropriate sampling rate.
 - OFF: The decoding process is under the sampling rate of 48KHz.
- 5 Press OK.
- 6 Press the ◀ key to return to the SPDIF SETUP menu.





Setup Menu

Video Out Setup

There are items included in VIDEO OUT PAGE menu as TV DISPLAY, VIDEO OUTPUT, TVTYPE BLACK LEVEL, VIDEO MODE, BRIGHTNESS, CONTRAST, SATURATION, HUE.

- 1 Press STOP twice.
- 2 Press SYSTEM MENU to enter its menu.
- 3 Highlight the SETUPVIDEO OUTPUT item by pressing the ▲▼ keys.
- 4 Press OK.

Video output

In this menu, you can select the video output for high quality picture.

- 1 Press the ▲▼ keys to highlight VIDEO OUTPUT in the VIDEO OUTPUT PAGE menu.
- 2 Press the OK key to open its submenu.
- 3 Press the ► key to highlight the item of the submenu.
- 4 Press the ▲▼ keys to choose an item.
 - S-VIDEO: Video signals will send an output from the S-VIDEO on the rear panel of the DVD player.
 - YCBCR: If your TV set is equipped with Y/CB/CR input, you can choose for high quality picture.
- 5 Press OK.
- 6 Press the ◀ key to return to the SETUPVIDEO OUTPUT menu.

NOTE: Any selection will not influence the signal output of composite video.

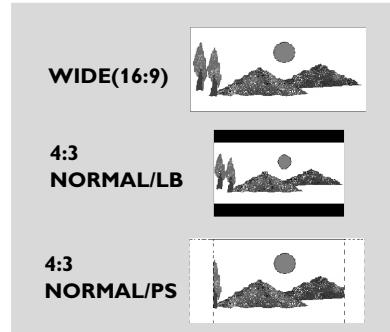
TV display

Select the aspect ratio of the TV to be connected.

WIDE → when you connect a wide-screen TV to the DVD player.

NORMAL/LB → when you connect a normal TV to the DVD player: Displays a wide picture with bands displayed on the upper and lower portions of the TV screen.

NORMAL/PS → when you connect a normal TV to the DVD player: Displays the wide picture on the whole TV screen with a portion automatically cut off.



Setup the item as follows,

- 1 Press the ▲▼ keys to highlight the TV DISPLAY item in the SETUP VIDEO OUTPUT menu.
- 2 Press the OK key.
- 3 Enter its submenu by pressing the ► key.
 -
- 4 Move the cursor by pressing the ▲▼ keys to highlight the selected item.
- 5 Press OK.
- 6 Press the ◀ key to return to the SETUP VIDEO OUTPUT menu.

TV type

Before viewing the DVD or VCD, ensure that the PAL or NTSC setting of the system matches your TV set.

- 1 Press the ▲▼ keys to highlight TVTYPE in the SETUPVIDEO OUTPUT menu.
 -
- 2 Press OK.
- 3 Enter its submenu by pressing the ► key.
- 4 Move the cursor by pressing the ▲▼ keys to highlight the requisite item.
- 5 Press OK.
- 6 Press the ◀ key to return to the SETUPVIDEO OUTPUT menu.

NOTE: Choosing NTSC item indicates that the player will output by NTSC system, Similarly, you can acquire PAL system by choosing the PAL item. And the item MULTI means video output is depending on the format of DVD or VCD discs.



Setup Menu

Smart Picture function

In this menu, you can personalize your picture setting, colors (brightness, contrast, saturation and hue) can be changed to a fixed set of ideal predefined picture setting (Bright, Standard and Soft) or personal one, to suit various viewing situation.

Video Mode

In this menu, you can choose one picture setting from a fixed set of ideal predefined picture setting (Bright, Standard and Soft).

- 1 Press the ▲▼ keys to highlight VIDEO MODE in the VIDEO OUT SETUP menu.
- 2 Press OK to open its submenu.
- 3 Press the ► key to highlight the item of the submenu.
- 4 Press the ▲▼ keys to choose an item.
 - BRIGHT: make the TV screen brighter.
 - STANDARD: select a standard picture setting.
 - SOFT: make the TV screen softer.
 - PERSONAL: apply the setting you set before.
- 5 Press OK.
- 6 Press the ◀ key to return to the VIDEO OUTPUT SETUP menu.

Personal Picture Setting

Personal picture setting includes the setup of BLACK LEVEL, BRIGHTNESS, CONTRAST, SATURATION and HUE, with which you can personalize your picture setting.

Black Level

- 1 Press the ▲▼ keys to highlight BLACK LEVEL in the VIDEO OUT SETUP menu.
- 2 Press OK to open its submenu.
- 3 Press the ► key to highlight the item of the submenu.
- 4 Press the ▲▼ keys to choose an item.
 - ON: enable smart adjustment of black level.
 - OFF: disable smart adjustment of black level.
- 5 Press OK.
- 6 Press the ◀ key to return to the VIDEO OUTPUT SETUP menu.

Brightness

- 1 Press the ▲▼ keys to highlight BRIGHTNESS in the VIDEO OUT SETUP menu.
- 2 Press OK to open its submenu.
- 3 Press the ► key to highlight the item of the submenu.
- 4 Press the ▲▼ keys to adjust the brightness level.
- 5 Press OK.
- 6 Press the ◀ key to return to the VIDEO OUTPUT SETUP menu.

Contrast

- 1 Press the ▲▼ keys to highlight CONTRAST in the VIDEO OUT SETUP menu.
- 2 Press OK to open its submenu.
- 3 Press the ► key to highlight the item of the submenu.
- 4 Press the ▲▼ keys to adjust the contrast level.
- 5 Press OK.
- 6 Press the ◀ key to return to the VIDEO OUTPUT SETUP menu.

Saturation

- 1 Press the ▲▼ keys to highlight SATURATION in the VIDEO OUT SETUP menu.
- 2 Press OK to open its submenu.
- 3 Press the ► key to highlight the item of the submenu.
- 4 Press the ▲▼ keys to adjust the saturation level.
- 5 Press OK.
- 6 Press the ◀ key to return to the VIDEO OUTPUT SETUP menu.

Hue

- 1 Press the ▲▼ keys to highlight HUE in the VIDEO OUT SETUP menu.
- 2 Press OK to open its submenu.
- 3 Press the ► key to highlight the item of the submenu.
- 4 Press the ▲▼ keys to adjust the hue level.
- 5 Press OK.
- 6 Press the ◀ key to return to the VIDEO OUTPUT SETUP menu.





Setup Menu

Preferences setup

There are items included in PREFERENCES menu as AUDIO, SUBTITLE, DISC MENU, PARENTAL CONTROL, PASSWORD, DEFAULT and SMART NAV.

- 1 Press the STOP key twice.
- 2 Press SYSTEM MENU to enter its menu.
- 3 Highlight the PREFERENCES item by pressing the ▲▼ keys.
- 4 Press OK to confirm your selection.



Audio language

DVD discs are available for multiple audio languages. Use this item to choose your preferred default audio language.

- 1 Press the ▲▼ keys to highlight the AUDIO item.
- 2 Press OK to open its submenu.
- 3 Enter its submenu by pressing the ► key.
- 4 Move the cursor by pressing the ▲▼ keys to highlight the selected item.
- 5 Press OK.
- 6 Press the ◀ key to return to the PREFERENCES menu.

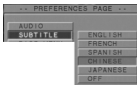


NOTE: Your DVD disc may not include the audio language which you set in the SETUP menu. If so, the player will use other audio language instead.

Subtitle language

DVD discs are available for multi-subtitle language. This item is used to choose default subtitle language.

- 1 Press the ▲▼ keys to highlight the SUBTITLE item.
- 2 Press OK to open its submenu.
- 3 Enter its submenu by pressing the ► key.
- 4 Move the cursor by pressing the ▲▼ keys to highlight the selected item.
- 5 Press OK.
- 6 Press the ◀ key to return to the PREFERENCES menu.



NOTE: Your DVD disc may not include the subtitle which you set in the SETUP menu. If so, the player will use other audio language and subtitle instead.

Disc menu language

DVD discs are available for multiple disc menu languages. This item is used to choose default disc menu language.

- 1 Press the ▲▼ keys to highlight the DISC MENU item.
- 2 Press OK to open its submenu.
- 3 Enter its submenu by pressing the ► key.
- 4 Move the cursor by pressing the ▲▼ keys to highlight the selected item.
- 5 Press OK.
- 6 Press the ◀ key to return to the PREFERENCES menu.



NOTE: If your DVD disc doesn't include disc menu language you have set, the player will use other recorded language instead.

Password

This password is used for the parental control and disc lock. Enter your password when you are required by the DVD player:

- 1 Press the ▲▼ keys to highlight the PASSWORD item.
 - 2 Press OK to open its submenu.
 - 3 Enter its submenu by pressing the ► key.
 - 4 Move the cursor by pressing the ▲▼ keys to highlight the selected item.
 - 5 Enter the current 4 digit code.
 - 6 If successful, the player will prompt for a new one.
 - 7 After that, enter the new password again to reconfirm.
 - 8 Press the PLAY key to return to the PREFERENCES menu.
- The new 4 digit code will take effect.



NOTE:

1. You can change the setup of parental control and disc lock with a recognise password being entered.
2. If you forget the password, you can enter the default password 3308 and replace your password after logging on.





Setup Menu

Parental Control

Movies on DVDs may contain scenes not suitable for children. Therefore, discs may contain 'Parental Control' information which applies to the complete disc or to certain scenes on the disc. These scenes are rated from 1 to 8, and alternative, more suitable scenes are available on the disc. Ratings are country dependent. The 'Parental Control' feature allows you to prevent discs from being played by your children or to have certain discs played with alternative scenes.

- VCD, SVCD, CD has no level definition, so parental control function has no effect on those kinds of discs as well as most of illegal DVD discs.

- You can follow the steps below to setup the parental control:

- 1 Press the ▲▼ keys to highlight the PARENTAL item.
- 2 Press OK to open its menu.
- 3 Move to its submenu by pressing the ► key.
- 4 Then use the ▲▼ keys to highlight a rating from 1 to 8 for the disc inserted.
- 5 Press OK to confirm, then press the ◀ key to return to the PREFERENCES menu.



No Parental Control

Parental Control is not activated. The Disc will be played in full.

- 1 Select NO PARENTAL item.
- 2 Press OK.

Ratings 1 to 8:

The disc contains scenes not suitable for children. If you set a rating for the player, all scenes with the same rating or lower will be played. Higher rated scenes will not be played unless an alternative which has the same rating or lower is available on the disc. If no suitable alternative is found, playback will stop and the 4-digit code has to be entered.

Default setup

If some problems occur during setting DVD, the item DEFAULT is used to reset all items to factory default and all your personal setting will be erased.

- 1 Press the ▲▼ keys to highlight the DEFAULT item.
- 2 Press OK to open its menu.
- 3 Enter its menu by pressing the ► key.
- 4 Press OK.



NOTE: When this function is executed, all setups will be reset to factory defaults.

Smart Navigator

In this menu, it contains of the setting when you playback picture CD and MP3 CD.

- 2 Press the ▲ ▼ key to highlight the PREFERENCE item.
- 3 Press OK to open the PREFERENCE menu.
- 4 Press the ▲ ▼ to highlight the SMART NAV menu.
- 5 Press OK to open the menu.
- 6 Press ► to enter the menu.
- 7 Press ▲ ▼ to highlight the NO MENU or WITH MENU item.
 - NO MENU: playback all images or MP3 musics in sequence automatically
 - WITH MENU: playback images or MP3 musics in the selected folder.
- 8 Press the OK key to confirm your selection





Specifications

PLAYBACK SYSTEM

DVDVideo
 Video CD & SVCD
 CD (CD-Recordable and CD-Rewritable)
 Picture CD
 MP3 CD
 CD-R, CD-RW
 DVD-R, DVD+RW

VIDEO PERFORMANCE

* CVBS 1Vpp --- 75Ω
 * S-VIDEO Y: 1.00Vpp --- 75Ω
 C: 0.30Vpp --- 75Ω
 * YUV Y: 1.00Vpp --- 75Ω
 CR: 0.7Vpp --- 75Ω
 CB: 0.7Vpp --- 75Ω

AUDIO FORMAT

Digital	Mpeg/ AC-3/ DTS PCM	compressed Digital 16, 20, 24 bits fs, 44.1, 48, 96 kHz
	MP3(ISO 9660)	24, 32, 56, 64, 96, 128, 256 kbps & variable bit rate fs, 16, 22.05, 24, 32, 44.1, 48 kHz

Analog Sound Stereo
 Dolby Digital multichannel surround sound downmix 2 channels.

AUDIO PERFORMANCE

DA Converter	24bit	
Signal-Noise (1KHz)	90dB	
Dynamic range(1KHz)	80dB	
DVD	fs 96 kHz	4Hz- 44kHz
	fs 48 kHz	4Hz-22kHz
SVCD	fs 48 kHz	4Hz-22kHz
	fs 44.1 kHz	4Hz-20kHz
VCD/CD	fs 44.1 kHz	4Hz- 20 KHz

TV STANDARD (PAL/50Hz) (NTSC/60Hz)

Number of lines	625	525
Playback	Multistandard	(PAL/NTSC)

CONNECTIONS

YUV Video Output	Cinch
S-Video Output	Mini DIN 4-pins
Video Output	Cinch
Audio Output(L+R)	Cinch
Digital Output	1 coaxial / optical IEC958 for CDDA / LPCM/ MPEG1 IEC1937 for MPEG 2, Dolby Digital and DTS

CABINET

Dimensions (w x d x h)	435 x 235 x 71 mm
Weight	Approximately 2.5 Kg

Specifications subject to change without prior notice

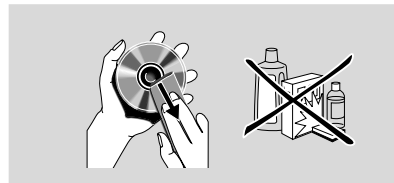
Maintenance

Cleaning the Cabinet

- Use a soft cloth slightly moistened with a mild detergent solution. Do not use a solution containing alcohol, spirits, ammonia or abrasives.

Cleaning Discs

- When a disc becomes dirty, clean it with a cleaning cloth. Wipe the disc from the center out. Do not wipe in a circular motion.
- Do not use solvents such as benzine, thinner, commercially available cleaners, or antistatic spray intended for analog records.





Troubleshooting

WARNING

Under no circumstances should you try to repair the system yourself, as this will invalidate the warranty. Do not open the system as there is a risk of electric shock.

If a fault occurs, first check the points listed below before taking the system for repair. If you are unable to remedy a problem by following these hints, consult your dealer or service center.

Problem	Solution
No power	<ul style="list-style-type: none"> – Check if the AC power cord is properly connected.
No picture	<ul style="list-style-type: none"> – Check if the TV is switched on. – Check the video connection.
Distorted picture	<ul style="list-style-type: none"> – The disc is badly scratched or dirty. – Sometimes a small amount of picture distortion may appear. This is not a malfunction.
Completely distorted picture or black/white picture with DVD or Video CD	<ul style="list-style-type: none"> – Make sure the NTSC/PAL setting at the DVD player matches the video signal of your television. (See NTSC/PAL Conversion)
No sound or distorted sound	<ul style="list-style-type: none"> – Adjust the volume. – Check that the speakers are connected correctly.
No audio at digital output	<ul style="list-style-type: none"> – Check the digital connections. – Check the settings menu to make sure the digital output is set to ALL or PCM. – Check if the audio format of the selected audio language matches your receiver capabilities.
Disc can't be played	<ul style="list-style-type: none"> – Ensure the disc label is facing up. – Check if the disc is defective by trying another disc.
No return to start-up screen when disc is removed	<ul style="list-style-type: none"> – Reset the unit by switching the player off, then on again.
The player does not respond to the remote control	<ul style="list-style-type: none"> – Aim the remote control directly at the sensor on the front of the player. – Reduce the distance to the player. – Replace the batteries in the remote control. – Insert the batteries with their polarities (+/- signs) as indicated.
Buttons do not work	<ul style="list-style-type: none"> – In order to completely reset the player, unplug the AC cord from the AC outlet.
Player does not respond to some operating commands during playback.	<ul style="list-style-type: none"> – Operations may not be permitted by the disc. Refer to the instructions of the disc.
DVD Video player cannot read CDs/DVDs	<ul style="list-style-type: none"> – Use a commonly available cleaning CD/DVD to clean the lens before sending the DVD Video player for repair.







Meet Philips at the Internet
<http://www.philips.com>

DVD616K



3141 016 18911



The products and services described herein
are not necessarily available in all countries
Due to continuous product improvements this
document is subject to change without notice.

